

1 2 3 4

A A

B B

C C

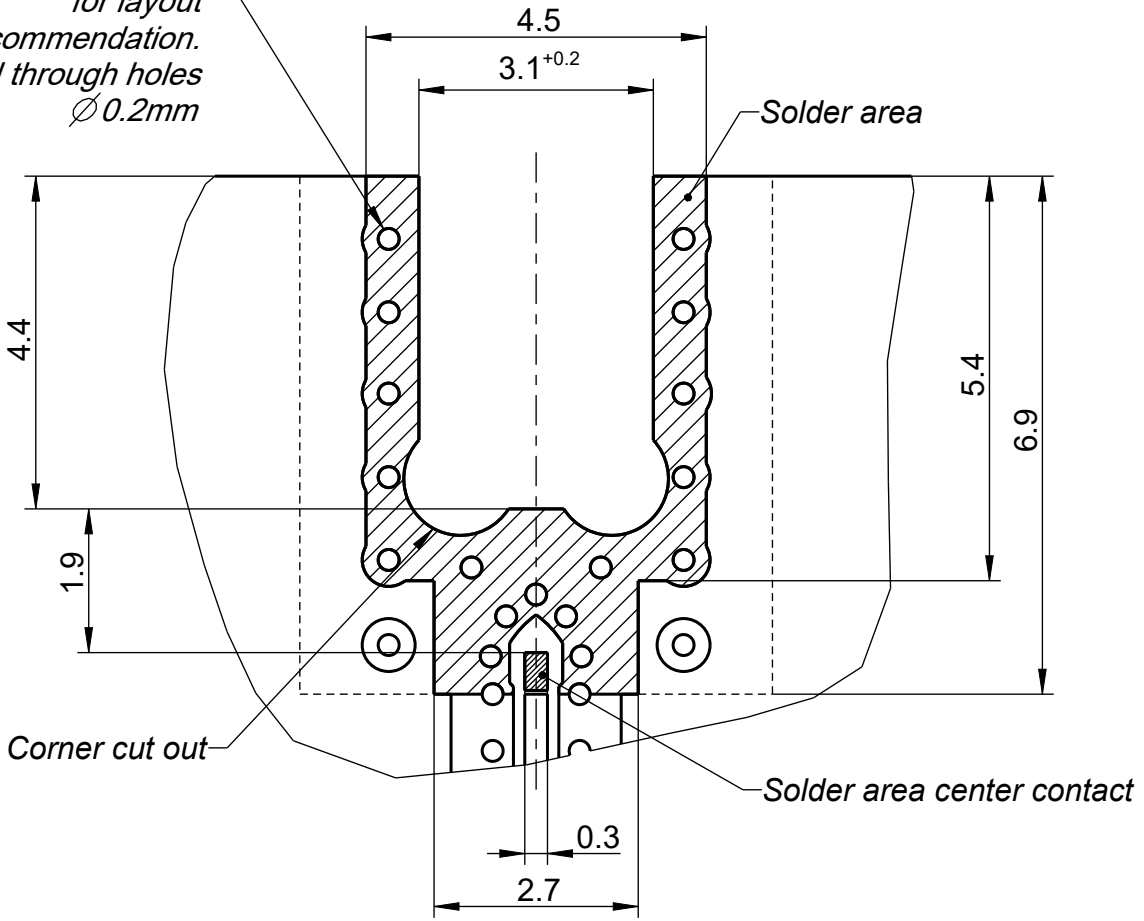
D D

E E

F F

Leiterplatten-Layout
 PCB layout
 B 781A

*Schematically shown
 for layout
 recommendation.
 Plated through holes
 Ø 0.2mm*



A wide variety of transmissionline topologies and pcb-parameters like permittivity, substrate thickness, and board-stackup are applied by customers. These parameters have a strong impact on the high frequency performance of the mounted connector. Please note, that the given layout is not optimised to fit all of the possible board configurations regarding RF-performance, it represents a recommendation for optimum solderability of the connector. In order to guarantee optimum high frequency properties of the connector, an RF-analysis of the connector to board transition is recommended.

Rosenberger		general tolerance		scale: 10:1	weight[g]: 5.997
		ISO 2768	RN 006-01	material:	
vertraulich / confidential		mH		title:	
		date	name	Leiterplatten-Layout PCB layout	
		drawn	20.11.2019 A_Youmsi-Mou		
		check	22.11.2019 M_Rahberger		
		appr.	22.11.2019 F_Reiner		
		dimensioning incl. plating		drawing-no.:	
		Size ISO 14405 (E)		MB_781A	
		Tolerancing ISO 8015		sheet: 1	
100	19-v703	A_Youmsi-Mou	20.11.2019	of: 1	
rev.	change-no	name	date	remarks: .	

1 2 3 4