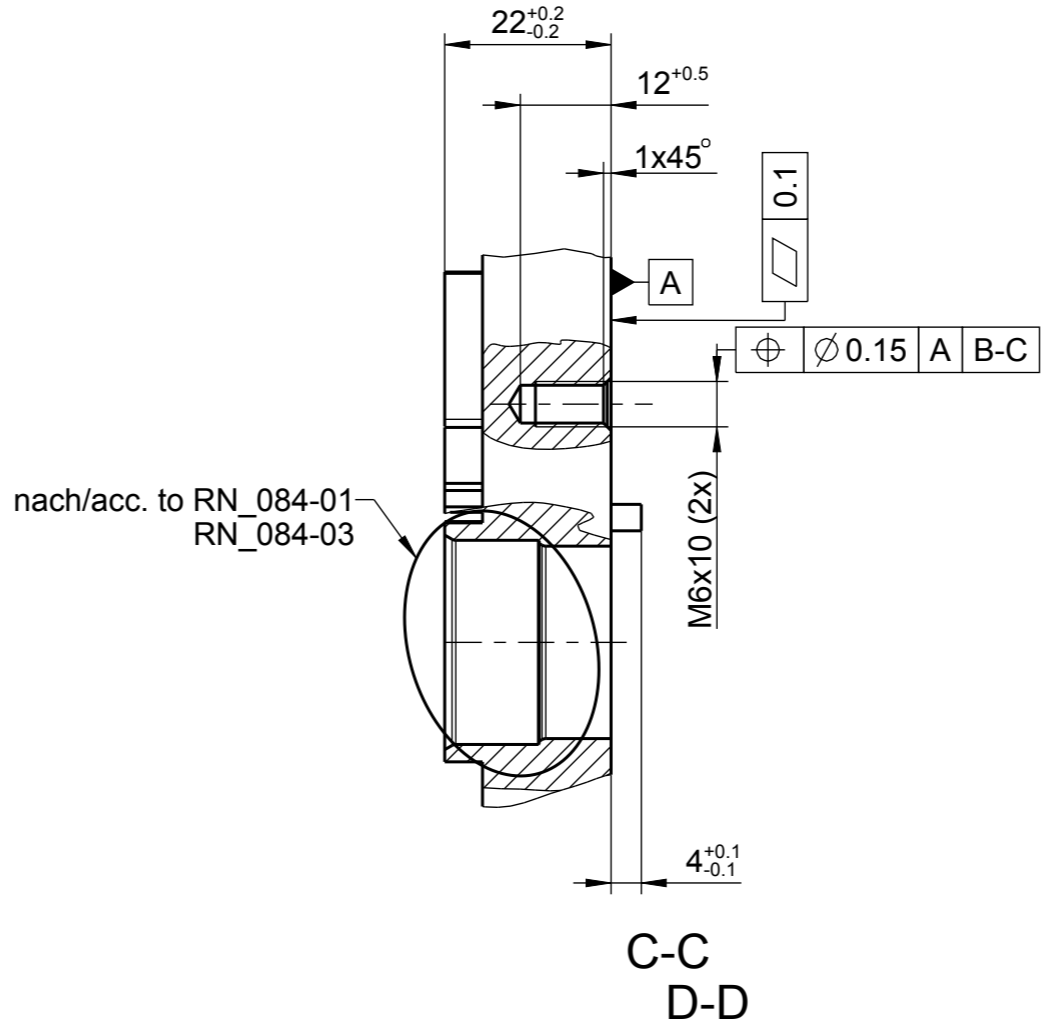
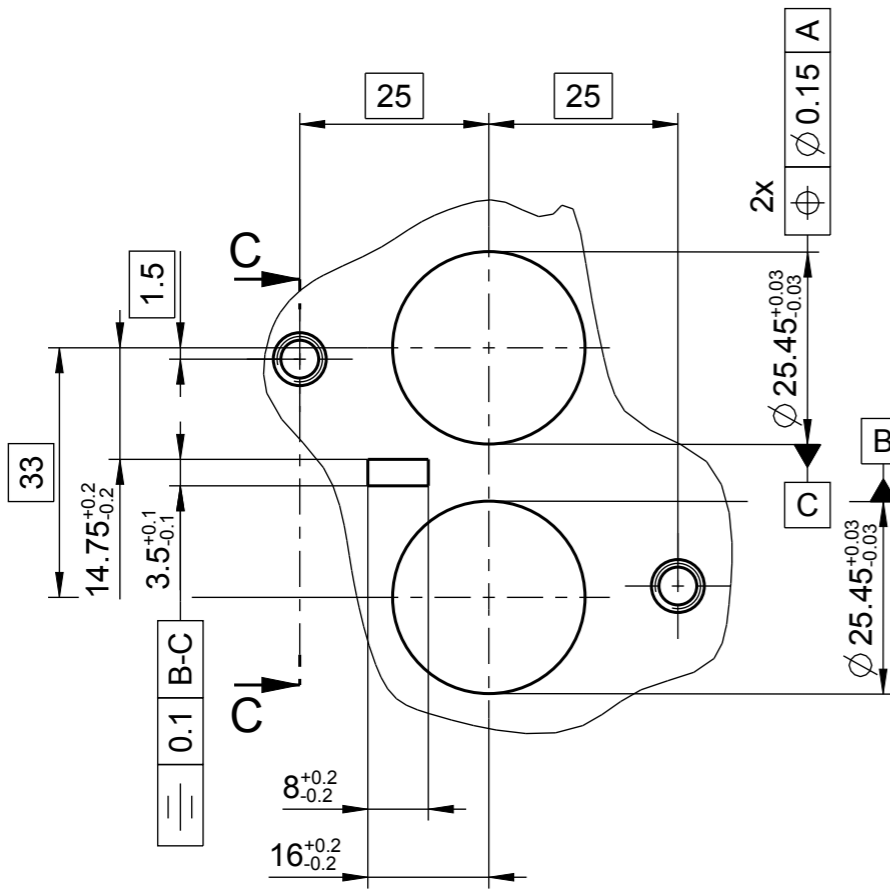
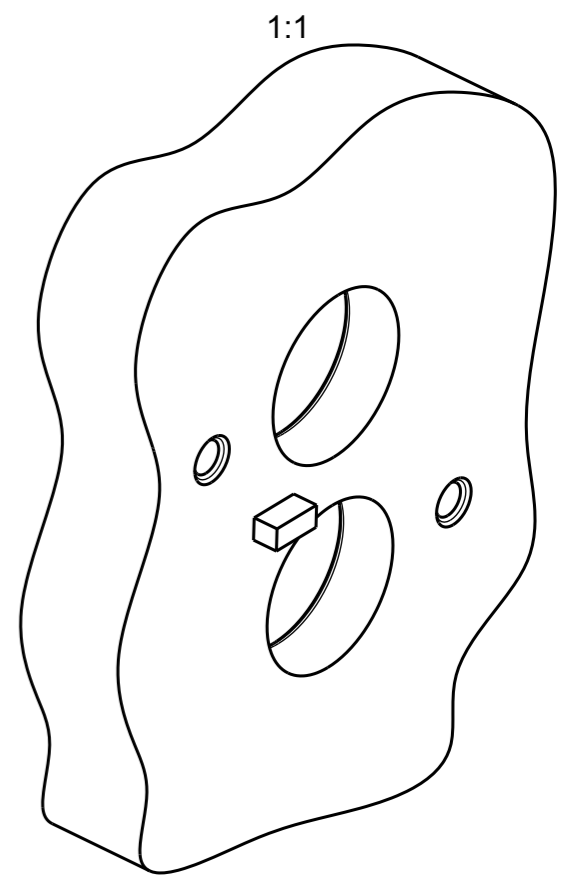


© ROSENBERGER HOCHFREQUENZTECHNIK GMBH & Co. KG
 The reproduction, distribution and utilization of this document as well as the communication of its contents to others without express authorization is prohibited. Offenders will be held liable for the payment of damages. All rights reserved in the event of the grant of patent, utility model or design.



nach/acc. to RN_084-01
 RN_084-03

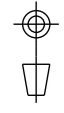


$\sqrt{Rz\ 6.3}$ -0.10 $+0.10$

Rosenberger		general tolerance		scale: 1:1 ()	weight[g]: 1020.757
		ISO 2768 mH	RN 006-01	material:	surface[mm ²]: 26275.0
vertraulich / confidential		date	name	title: Montagebohrung panel piercing	
		drawn	08.07.2016 A_Pantelev		
		check.	08.07.2016 W_Winterholl		
		appr.	11.07.2016 C_Kohl	drawing-no.: MB_606	
		dimensioning incl. plating		sheet: 1	
		Size ISO 14405 (E)		of: 1	
100	15-v139	A_Pantelev	08.07.2016	remarks: .	
rev.	change-no	name	date		

PD_FB_01

-METRIC-



ISO-Projektion
 Methode 1