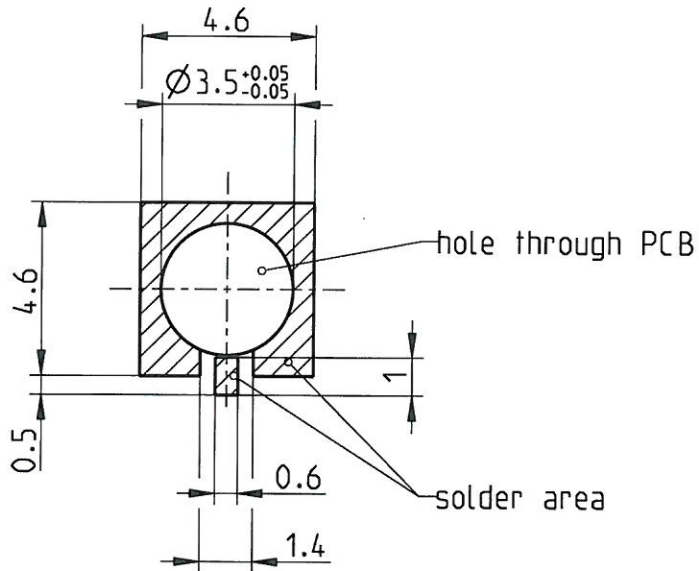


All rights strictly reserved. Reproduction or issue to third parties in any form whatever is not permitted without written authority from the proprietor. Property of Rosenberger Hochfrequenztechnik.

Leiterplatten-Layout
PCB layout
B 277



A wide variety of transmissionline topologies and pcb-parameters like permittivity, substrate thickness, and board-stackup are applied by customers. These parameters have a strong impact on the high frequency performance of the mounted connector.

Please note, that the given layout is not optimised to fit all of the possible board configurations regarding RF-performance, it represents a recommendation for optimum solderability of the connector.

In order to guarantee optimum high frequency properties of the connector, an RF-analysis of the connector to board transition is recommended.

Formzahl: TCC-FR-05-PE-A4-Einzelteil
Datei: AL-EINZELTEIL.DWG
Version: 1.2

Dimensions
in mm



ISO-Projektion
Methode E

Rosenberger Hochfrequenztechnik 84526 Tittmoning Pro/ENGINEER				general tolerance ISO 2768 RN 006-01 m-H dimensions <0,5 and symmetry		scale: 5:1 weight(g): surface(mm ²):				
				material:		title: Leiterplatten-Layout PCB layout				
				drawn 16.11.2007 A_Nobis check. 16.11.07 LF appr. 16.11.07 [Signature] dimensioning incl. finish		drawing-no... MB_277				
100	07-v365	A_Nobis	16.11.2007	distribu-	FE	AZ	QSM	RMT	.	sheet: 1
rev.	change-no	name	date	tion to:	X	of: 1
remarks: .										