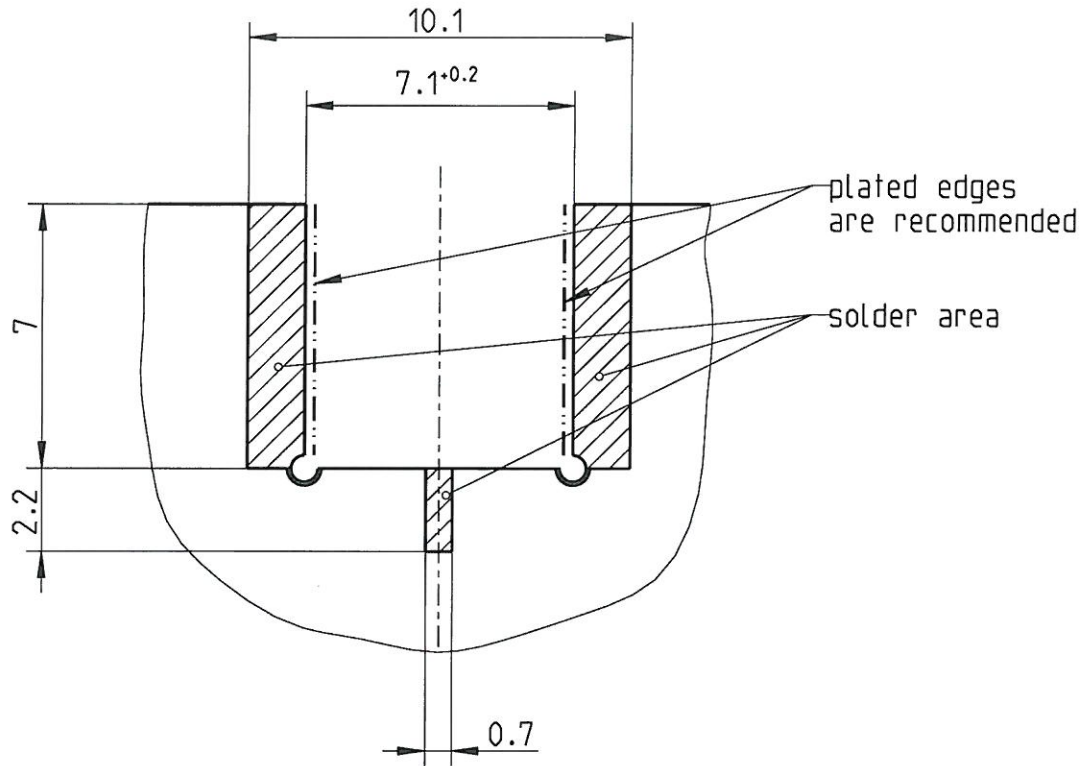


All rights strictly reserved. Reproduction or issue to third parties in any form whatever is not permitted without written authority from the proprietor. Property of Rosenberger Hochfrequenztechnik.

Leiterplatten-Layout
PCB layout
B 207



fuer diese technische Unterlage behalten wir uns alle Rechte vor (DIN 34)

A wide variety of transmissionline topologies and pcb-parameters like permittivity, substrate thickness, and board-stackup are applied by customers. These parameters have a strong impact on the high frequency performance of the mounted connector.

Please note, that the given layout is not optimised to fit all of the possible board configurations regarding RF-performance, it represents a recommendation for optimum solderability of the connector.

In order to guarantee optimum high frequency properties of the connector, an RF-analysis of the connector to board transition is recommended.

Firmenall. TCC-FB-05-PE-AL-Einzeltitel
Datei: AL_EINZELTITEL_FSB-ERN
Version: 1.0

ISO-Projektion Methode E

Rosenberger Hochfrequenztechnik 84526 Tittmoning Pro/ENGINEER		general tolerance ISO 2768 RN 006-01 m-H dimensions <0.5 and symmetry		scale: 5:1	weight(g): surfacel(mm ²):
title: Leiterplatten-Layout PCB layout				part-no...: MB_207	
sheet: 1 of: 1		remarks:			
a00 rev. change-no	05-0615 name	A_Nobis date	16.11.2005 date	distribu- tion to:	FE AZ QSM RMT . X
drawn 16.11.2005 A_Nobis check. 30.11.05 [Signature] appr. 21.12.05 [Signature]		dimensioning incl. finish			