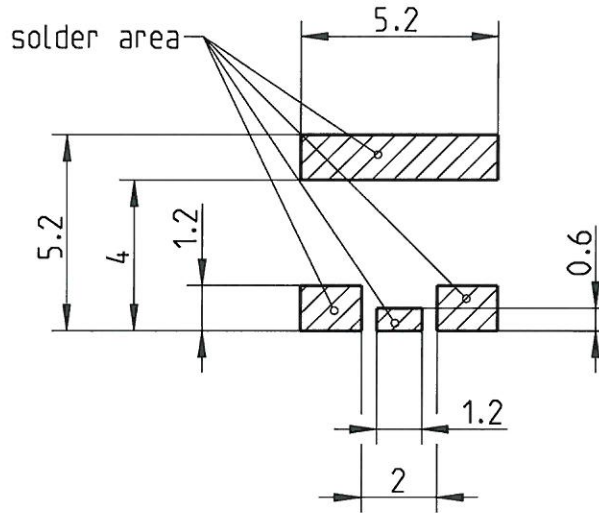


ALL rights strictly reserved. Reproduction or issue to third parties in any form whatever is not permitted without written authority from the proprietor. Property of Rosenberger Hochfrequenztechnik.

Leiterplatten-Layout
 PCB layout
 B 205



fuer diese technische Unterlage behalten wir uns alle Rechte vor (DIN 34)

A wide variety of transmissionline topologies and pcb-parameters like permittivity, substrate thickness, and board-stackup are applied by customers. These parameters have a strong impact on the high frequency performance of the mounted connector.

Please note, that the given layout is not optimised to fit all of the possible board configurations regarding RF-performance, it represents a recommendation for optimum solderability of the connector.

In order to guarantee optimum high frequency properties of the connector, an RF-analysis of the connector to board transition is recommended.

Formblatt: TCC-FB_05-PE-AK-Einzelteil
 Platz: i:\pce-conf\04\mm\..._10B-10V
 Datum: 11.03.08
 Version: 1,2

Dimensions in mm



ISO-Projektion Methode E

Rosenberger Hochfrequenztechnik 84526 Tittmoning Pro/ENGINEER				general tolerance ISO 2768 RN 006-01 m-H dimensions <0.5 and symmetry		scale: 5:1	weight(g): surface(mm ²):																																																																																							
				material:																																																																																										
<table border="1"> <tr> <td></td> <td></td> <td></td> <td></td> <td></td> <td></td> <td></td> <td></td> </tr> <tr> <td></td> <td></td> <td></td> <td></td> <td>date</td> <td>name</td> <td colspan="2">title:</td> </tr> <tr> <td></td> <td></td> <td></td> <td></td> <td>drawn</td> <td>15.11.2005</td> <td>A_Nobis</td> <td rowspan="3" style="text-align: center; vertical-align: middle;"> Leiterplatten-Layout PCB layout </td> </tr> <tr> <td></td> <td></td> <td></td> <td></td> <td>check.</td> <td>11.03.08</td> <td><i>[Signature]</i></td> </tr> <tr> <td></td> <td></td> <td></td> <td></td> <td>appr.</td> <td>11.03.08</td> <td><i>[Signature]</i></td> </tr> <tr> <td colspan="4"></td> <td colspan="4" style="text-align: center;">dimensioning incl. finish</td> </tr> <tr> <td colspan="4"></td> <td colspan="4"></td> <td>drawing-no.:</td> </tr> <tr> <td colspan="4"></td> <td colspan="4"></td> <td style="text-align: center;">MB_205</td> </tr> <tr> <td colspan="4"></td> <td colspan="4"></td> <td>sheet: 1</td> </tr> <tr> <td colspan="4"></td> <td colspan="4"></td> <td>of: 1</td> </tr> <tr> <td colspan="4"></td> <td colspan="4"></td> <td>remarks: .</td> </tr> </table>																date	name	title:						drawn	15.11.2005	A_Nobis	Leiterplatten-Layout PCB layout					check.	11.03.08	<i>[Signature]</i>					appr.	11.03.08	<i>[Signature]</i>					dimensioning incl. finish												drawing-no.:									MB_205									sheet: 1									of: 1									remarks: .
								date	name	title:																																																																																				
								drawn	15.11.2005	A_Nobis	Leiterplatten-Layout PCB layout																																																																																			
				check.	11.03.08	<i>[Signature]</i>																																																																																								
				appr.	11.03.08	<i>[Signature]</i>																																																																																								
				dimensioning incl. finish																																																																																										
								drawing-no.:																																																																																						
								MB_205																																																																																						
								sheet: 1																																																																																						
								of: 1																																																																																						
								remarks: .																																																																																						
								drawing-no.:																																																																																						
								MB_205																																																																																						
								sheet: 1																																																																																						
								of: 1																																																																																						
								remarks: .																																																																																						

b00	08-0159	T_Stadler	04.03.2008
a00	05-0615	A_Nobis	15.11.2005
rev.	change-no	name	date

distribution to:	FE	AZ	QSM	RMT	.
	X