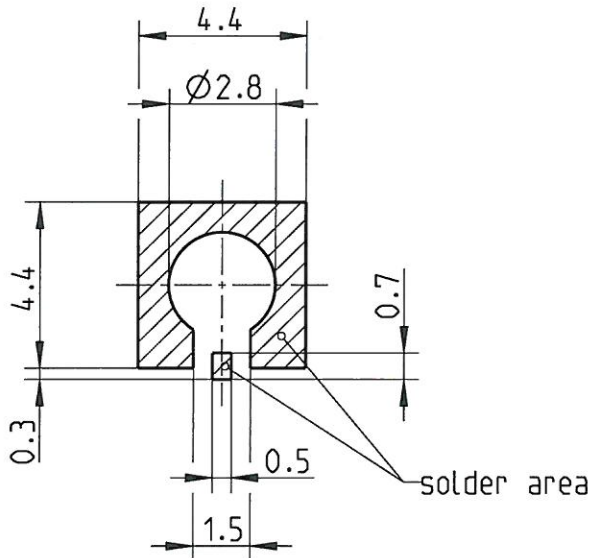


All rights strictly reserved. Reproduction or issue to third parties in any form whatever is not permitted without written authority from the proprietor. Property of Rosenberger Hochfrequenztechnik.

Leiterplatten-Layout
PCB layout
B 204



fuer diese technische Unterlage behalten wir uns alle Rechte vor (DIN 34)

A wide variety of transmissionline topologies and pcb-parameters like permittivity, substrate thickness, and board-stackup are applied by customers. These parameters have a strong impact on the high frequency performance of the mounted connector.

Please note, that the given layout is not optimised to fit all of the possible board configurations regarding RF-performance, it represents a recommendation for optimum solderability of the connector. In order to guarantee optimum high frequency properties of the connector, an RF-analysis of the connector to board transition is recommended.

Formzahl: T.C.FB.05.PE.A1-Einzelteil
Datei: I:\PCB\2005\B204.dwg
Date: 15.11.2005 10:00:00
Version: 1.0

ISO-Projektion
Methode E
-METRIC-

Rosenberger Hochfrequenztechnik 84526 Titlmoning Pro/ENGINEER		general tolerance ISO 2768 RN 006-01 m-H dimensions <0,5 and symmetry		scale: 5:1	weight(g): surfacel(mm ²):
		date name drawn 15.11.2005 A_Nobis check. 30.11.05 appr. 2/12/05		title: Leiterplatten-Layout PCB layout	
		dimensioning incl. finish		part-no...: MB_204	
a00 rev. change-no	05-0615 name	A_Nobis date	15.11.2005 date	distribu- tion to: FE AZ QSM RMT . X	sheet: 1 of: 1
				remarks: .	