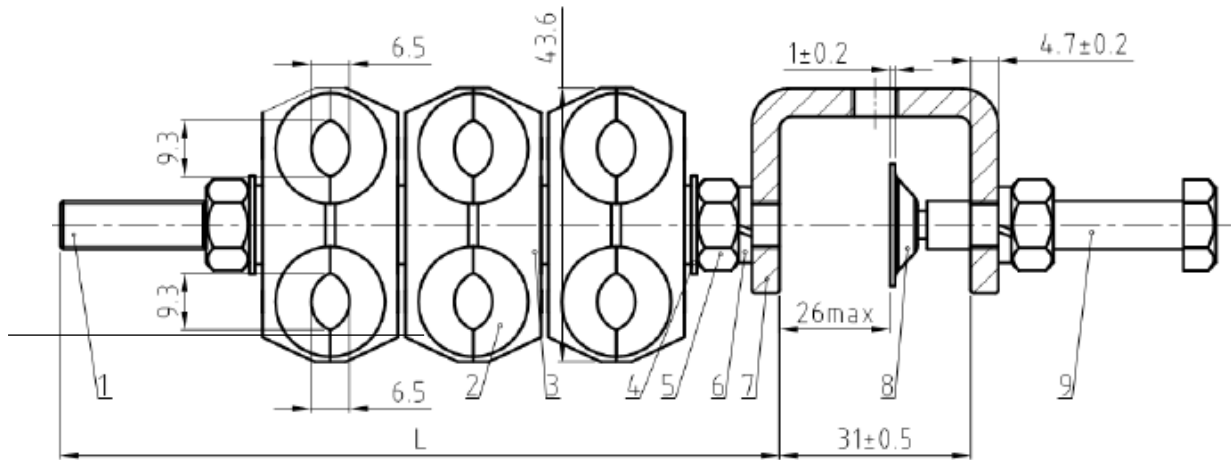


Cable Clamp

SLCC2X1-C09



Part number	L	Picture
SLCC221-C09	55	
SLCC241-C09	90	
SLCC261-C09	110	

All dimensions are in mm, tolerances acc. To ISO 2768 c-H

**Description**

To install multiple cable runs on towers where space is limited. Without additional adapters, these clamps can provide sturdy, reliable, long-term support by means of tough and UV resistant material.

**Part number**

SLCC2X1-C09

Cable Clamp for cables with  $\varnothing 6.8 - 9\text{mm}$

X: number of cables

Cable Clamp

SLCC2X1-C09

**Parts list**

Number	Piece parts	Material
1	Threaded rod M8xL	Stainless steel SUS304
2	Nut M8	Stainless steel SUS304
3	Plain washer	Stainless steel SUS304
4	Plastic cable clamp	Polypropylene
5	Insert	Rubber
6	Spring washer	Stainless steel SUS304
7	Bowl washer	Stainless steel SUS304
8	C-Frame	Stainless steel SUS304
9	Bolt M8x45	Stainless steel SUS304

**Environmental data**

Temperature	-40°C to +70°C
Salt spray test	96 hr. acc. to MIL-STD-1344:1977 Method 1001.1
UV resistance	300 hr. acc. to ISO 4892-2:2006(E) Method A
RoHS	compliant

**Tooling**

Hex Wrench	13 mm
------------	-------

**Packaging**

Standard	10 pcs in bag
----------	---------------

Part number	Weight / pce
SLCC221-C09	145 g
SLCC241-C09	180 g
SLCC261-C09	220 g

While the information has been carefully compiled to the best of our knowledge, nothing is intended as representation or warranty on our part and no statement herein shall be construed as recommendation to infringe existing patents. In the effort to improve our products, we reserve the right to make changes judged to be necessary.

Draft	Date	Approved	Date	Rev.	Engineering change number	Name	Date
Robin	08/09/2010	E. Truc-Vallet	05.10.15	d00	15-1343	S. Huber-Siegl	05.10.15