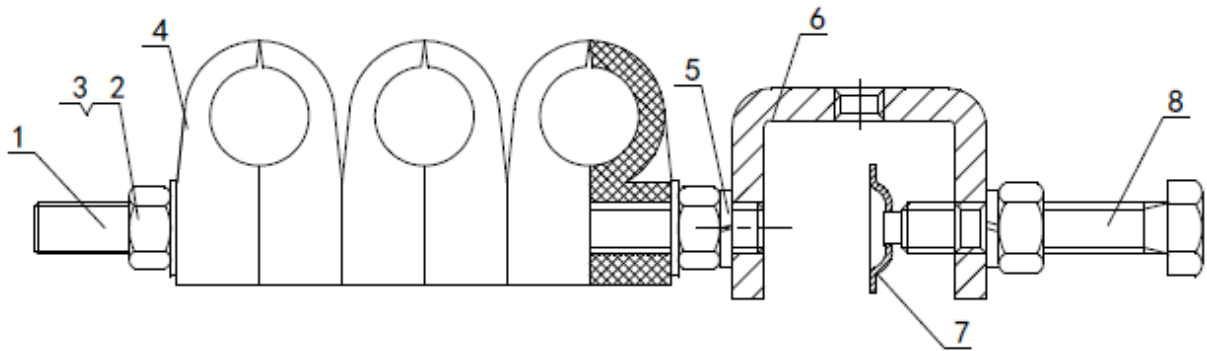


Cable Clamp

SLCC1X1-C08



Part number	L	Picture
SLCC111-C08	70	
SLCC121-C08	90	
SLCC131-C08	110	

All dimensions are in mm, tolerances acc. To ISO 2768 c-H

Description

To install multiple cable runs on towers where space is limited. Without additional adapters, these clamps can provide sturdy, reliable, long-term support by means of tough and UV resistant material.

Part number

SLCC1X1-C08

Cable Clamp for 1/2" S cables

X: number of cables

Cable Clamp

SLCC1X1-C08

Parts list

Number	Piece parts	Material
1	Threaded rod M8xL	Stainless steel SUS304
2	Nut M8	Stainless steel SUS304
3	Plain washer	Stainless steel SUS304
4	Plastic cable clamp	Polypropylene
5	C-Frame	Stainless steel SUS304
6	Bowl washer	Stainless steel SUS304
7	Spring washer	Stainless steel SUS304
8	Bolt M8x45	Stainless steel SUS304

Environmental data

Temperature	-55°C to +75°C
Salt spray test	300 hr. acc. to MIL-STD-1344:1977 Method 1001.1
UV resistance	300 hr. acc. to ISO 4892-2:2006(E) Method A
RoHS	compliant

Tooling

Hex Wrench	13 mm
------------	-------

Packaging

Standard	1 pce in bag
----------	--------------

Part number	Weight / pce
SLCC111-C08	150 g
SLCC121-C08	170 g
SLCC131-C08	190 g

While the information has been carefully compiled to the best of our knowledge, nothing is intended as representation or warranty on our part and no statement herein shall be construed as recommendation to infringe existing patents. In the effort to improve our products, we reserve the right to make changes judged to be necessary.

Draft	Date	Approved	Date	Rev.	Engineering change number	Name	Date
Robin	08/09/2010	J. Gramsamer	28/01/16	a00	16-0148	S. Lang	28.01.16