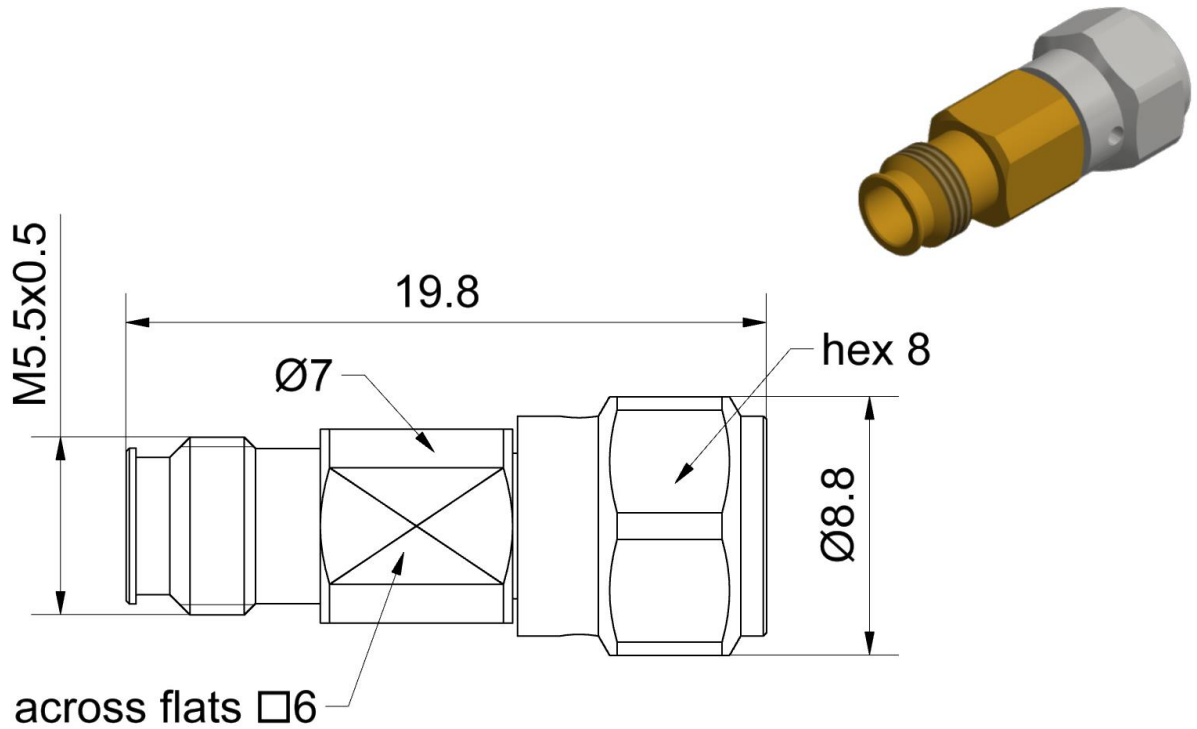


RPC-1.35 Adaptor  
Plug - Jack

**P9S121-K00D3**



All dimensions are in mm; tolerances according to ISO 2768 m-H

**Interface**

According to IEC 61169-65

**Documents**

N/A

**Material and plating**

**Connector parts**

Center conductor  
Outer conductor  
Coupling nut  
Dielectric

**Material**

CuBe  
CuBe or equiv.  
Stainless steel  
PEEK

**Plating**

Gold, min. 1.27µm  
Gold, min. 1.27µm  
Passivated

RPC-1.35 Adaptor  
Plug - Jack

**P9S121-K00D3**

**Electrical data**

Frequency range DC to 90 GHz

Return loss  $\geq 28$  dB, DC to 10 GHz  
 $\geq 19$  dB, 10 GHz to 50 GHz  
 $\geq 15$  dB, 50 GHz to 90 GHz

**Mechanical data**

Mating cycles  $\geq 3000$

Maximum torque 1.65 Nm

Recommended torque 0.90 Nm

Gauge 0.003 mm to 0.050 mm

**Environmental data**

Temperature range - 40 °C to +85 °C

RoHS compliant

**Packing**

Standard 1 pce in box

Weight 4.5 g/pce

While the information has been carefully compiled to the best of our knowledge, nothing is intended as representation or warranty on our part and no statement herein shall be construed as recommendation to infringe existing patents. In the effort to improve our products, we reserve the right to make changes judged to be necessary.

For the installation of the electrotechnical equipment, particular electrotechnical expertise is required.



Draft	Date	Approved	Date	Rev.	Engineering change number	Name	Date
Marcel Panicke	16.11.18	Lars Ramtke	20.05.22	d00	22-0943	David d'Argent	24.05.22

Rosenberger Hochfrequenztechnik GmbH & Co. KG  
 P.O.Box 1260 D-84526 Tittmoning Germany  
[www.rosenberger.de](http://www.rosenberger.de)

Tel. : +49 8684 18-0  
 Email : [info@rosenberger.de](mailto:info@rosenberger.de)

Page  
 2 / 2