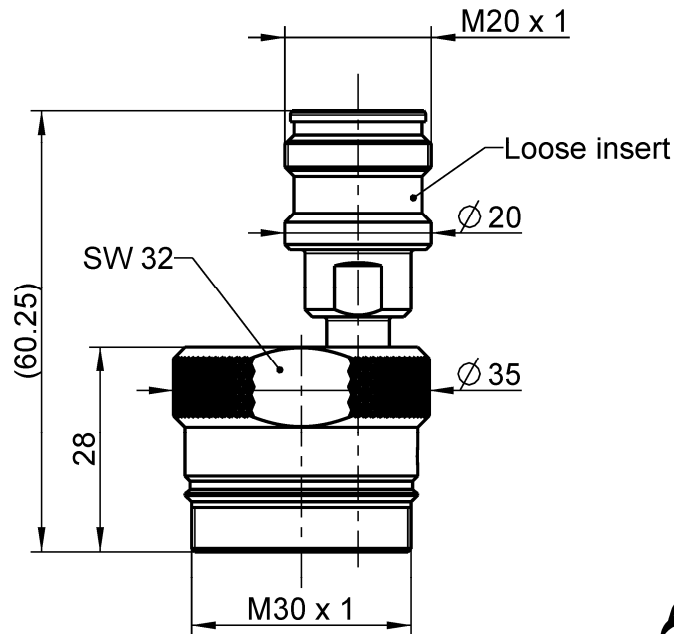


MQ4

Adapter
MQ4 Jack – 4.3-10 Jack

MQ4K164-K01N1



All dimensions are in mm; tolerances according to ISO 2768 m-H

Interface

According to	MQ4 side:	IEC 63138
	4.3-10 side:	IEC 61169-54

Documents

N/A

Material and Plating

Connector parts

		Material	Plating
Center contact		CuBe	Silver, 3-6 µm
Outer contact	MQ side	Brass	White bronze(e.g. Optalloy®)
Body	MQ side	Brass	White bronze(e.g. Optalloy®)
Outer contact	4.3-10 side	CuBe	Silver, 3-6 µm
Body	4.3-10 side	Brass	White bronze(e.g. Optalloy®)
Dielectric		PTFE	

Dieses Dokument ist urheberrechtlich geschützt • This document is protected by copyright • Rosenberger Hochfrequenztechnik GmbH & Co. KG

RF_35/09.14/6.2

