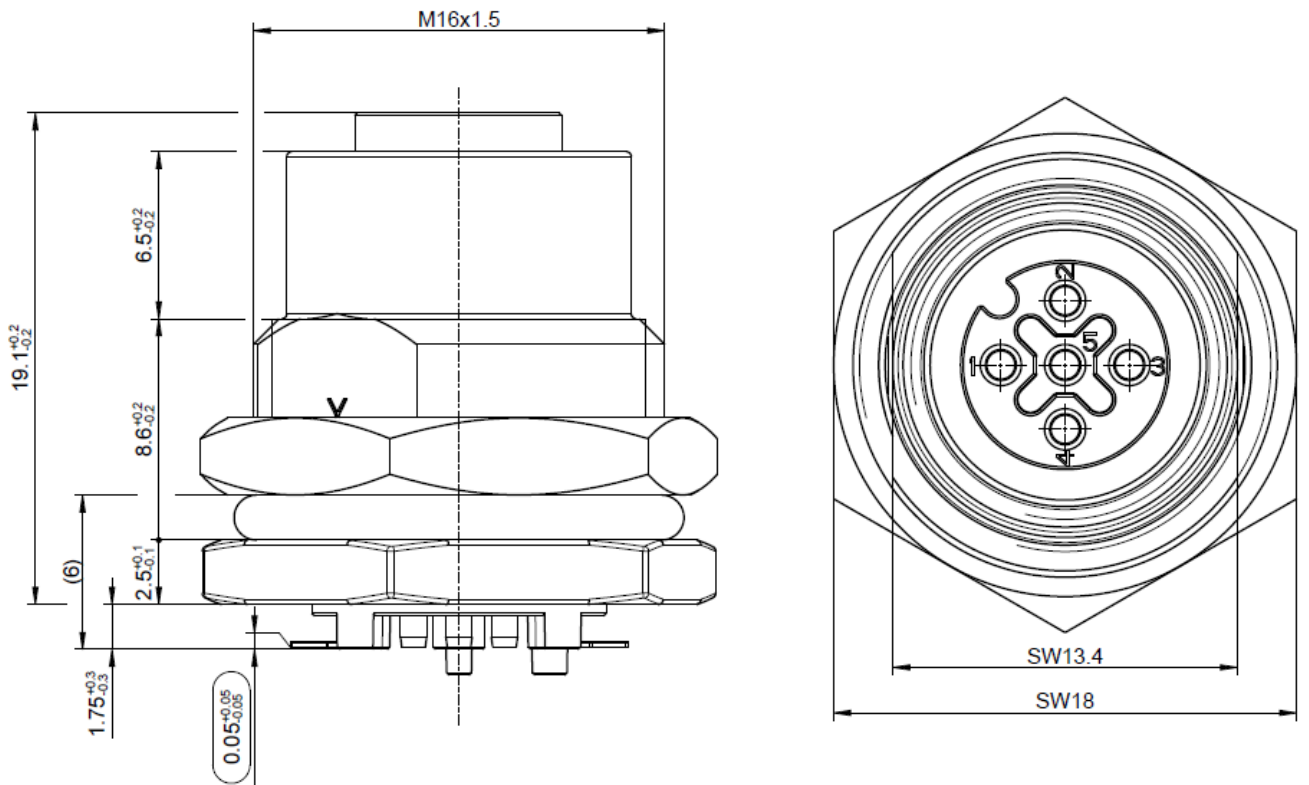


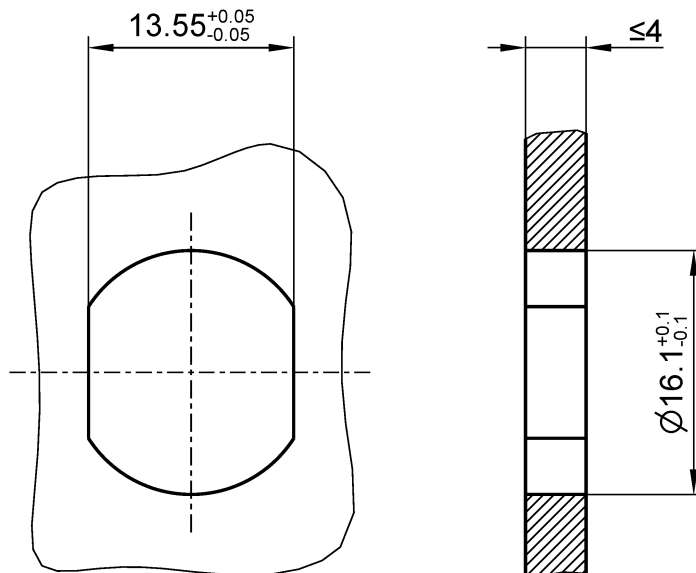
MI

**M12 PCB SMD**

**MI5K101-40M-YY-ZZ**



Flanschloch / Flangehole:



All dimensions are in mm;

Dieses Dokument ist urheberrechtlich geschützt • This document is protected by copyright • Rosenberger Hochfrequenztechnik GmbH & Co. KG  
RFB00035/10.11.2023/6.5

MI

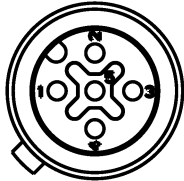
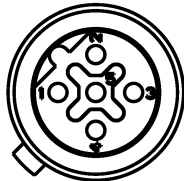
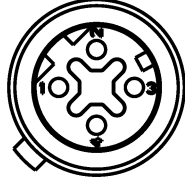
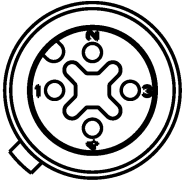
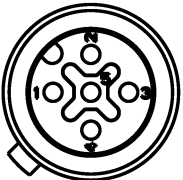
**M12 PCB SMD**

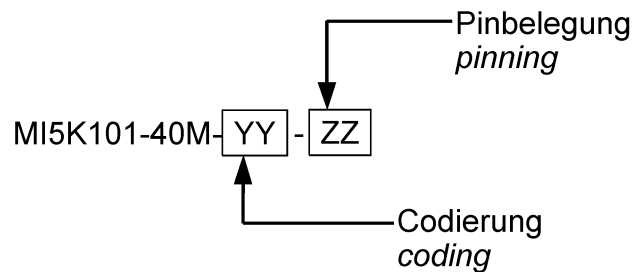
**MI5K101-40M-YY-ZZ**

**Interface**

According to

DIN EN 61076-2-101

Codierung <i>coding</i>	MI5K101-40M-YY-ZZ		
	-A0	-B0	-D0
-YY			
Pinbelegung <i>pinning</i>	MI5K101-40M-YY-ZZ		
	-04	-05	
-ZZ			



**Documents**

PCB Layout

MB\_1018

**Material and plating**

Parts:

Contact  
Housing  
Insulation  
Sealing  
Nut

Material:

brass  
zinc die-cast  
PA6.6 UL94-V0  
NBR  
brass

Plating:

AuroDur® gold plated  
nickel-plated  
  
nickel-plated

**Electrical-data**

Rated voltage

4-pole 250 V  
5-pole 60 V

Rated current

4 A

Rated impulse voltage

4-pole 2.5 kV  
5-pole 1.5 kV

Insulation resistance

>100 MΩ

Overvoltage category

II

Pollution degree

3

TECHNICAL DATA SHEET-DRAFT	<h1 style="margin: 0;">Rosenberger</h1>
----------------------------	-----------------------------------------

MI	<b>M12 PCB SMD</b>	<b>MI5K101-40M-YY-ZZ</b>
----	--------------------	--------------------------

**Mechanical Data**

Mating cycles	>100
Tightening torque	2-3 Nm
Type of installation	rear panel installation
Coding	A / B / D
Number of poles	4 / 5
Connection type	solder pins for SMD soldering process

**Environmental conditions**

Temperature range	-25°C to +85°C
Flammability	UL94-V0
Degree of protection (mated condition)	IP67
DIN EN 61076-2-101	compliant

**Product Compliance**

RoHS	compliant
------	-----------

**Packing**

Standard:

Contact carrier	50 pcs
Housing	50 pcs

öffentlich | public

While the information has been carefully compiled to the best of our knowledge, nothing is intended as representation or warranty on our part and no statement herein shall be construed as recommendation to infringe existing patents. In the effort to improve our products, we reserve the right to make changes judged to be necessary.

For the installation of the electrotechnical equipment, particular electrotechnical expertise is required.



Draft	Date	Approved	Date	Rev.	Eng. change number	Name	Date
S. Huber	28.02.2022	S. Huber	31.07.2024	300	24-0003	S. Mochti	31.07.2024

Rosenberger Hochfrequenztechnik GmbH & Co. KG  
P.O.Box 1260 D-84526 Tittmoning Germany  
[www.rosenberger.com](http://www.rosenberger.com)

Tel.: +49 8684 18-0  
Fax.: +49 8684 18-499  
email: [info@rosenberger.com](mailto:info@rosenberger.com)