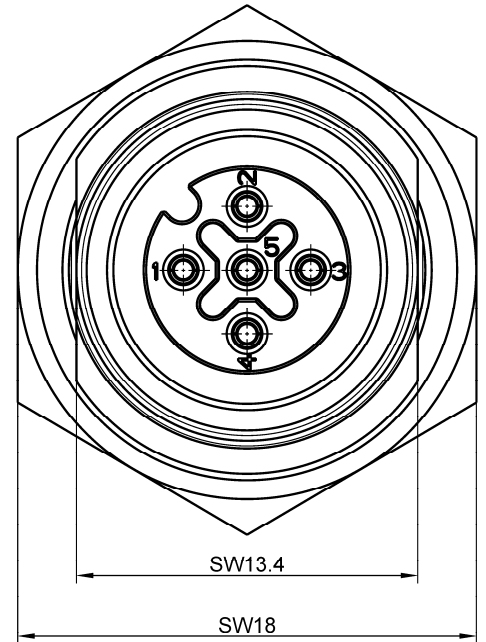
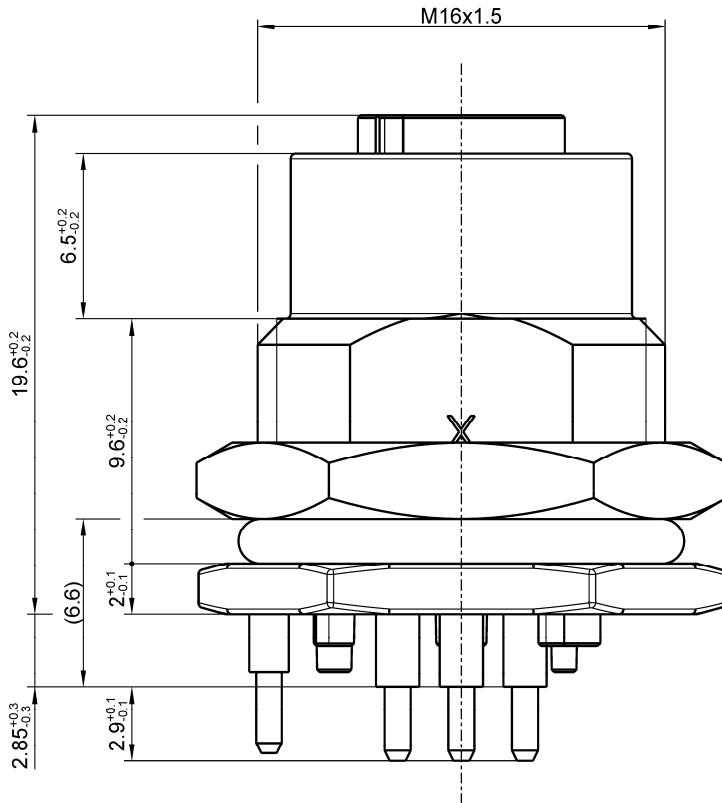


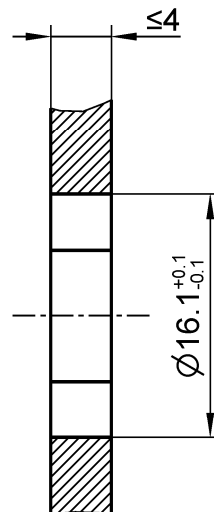
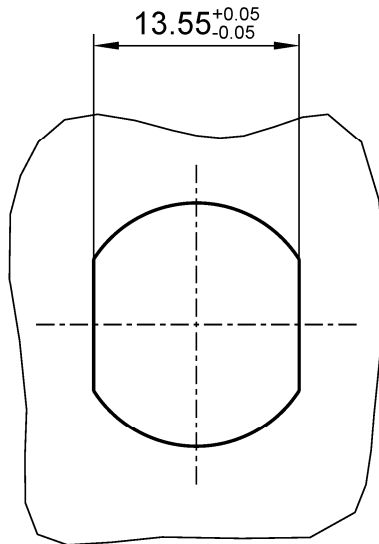
MI

M12 PCB THT

~~MI5K101 400 YY ZZ~~



Flanschloch / Flangehole:



All dimensions are in mm;

Dieses Dokument ist urheberrechtlich geschützt • This document is protected by copyright • Rosenberger Hochfrequenztechnik GmbH & Co. KG

RFB00035/10.11.2023/6.5

MI

M12 PCB THT

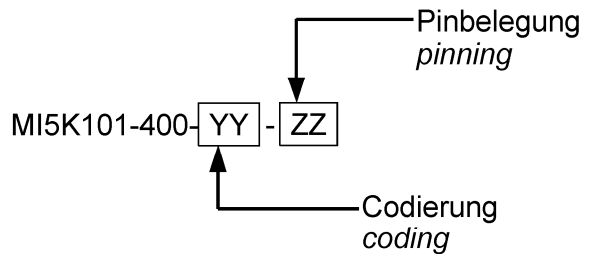
MI5K101-400-YY-ZZ

Interface

According to

DIN EN 61076-2-101

Codierung <i>coding</i>	MI5K101-400-YY-ZZ		
	-A0	-B0	-D0
-YY			
Pinbelegung <i>pinning</i>	MI5K101-400-YY-ZZ		
	-04	-05	
-ZZ			



Documents

PCB Layout

MB_977

Material and plating

Parts:

- Contact
- Housing
- Insulation
- Sealing
- Nut

Material:

- brass
- zinc die-cast
- PA6.6 UL94-V0
- NBR
- brass

Plating:

- AuroDur® gold plated
- nickel-plated
- nickel-plated

Electrical-data

Rated voltage

- 4-pole 250 V
- 5-pole 60 V

Rated current

4 A

Rated impulse voltage

- 4-pole 2.5 kV
- 5-pole 1.5 kV

Insulation resistance

>100 MΩ

Overvoltage category

II

Pollution degree

3

MI

M12 PCB THT

MI5K101-400-YY-ZZ

Mechanical Data

Mating cycles >100
 Tightening torque 2-3 Nm
 Type of installation rear panel installation
 Coding A / B / D
 Number of poles 4 / 5
 Connection type solder pins for THT soldering process

Environmental conditions

Temperature range -25°C to +85°C
 Flammability UL94-V0
 Degree of protection (mated condition) IP67
 DIN EN 61076-2-101 compliant

Product Compliance

RoHS compliant

Packing

Standard: 100 pcs

öffentlich | public

While the information has been carefully compiled to the best of our knowledge, nothing is intended as representation or warranty on our part and no statement herein shall be construed as recommendation to infringe existing patents. In the effort to improve our products, we reserve the right to make changes judged to be necessary.

For the installation of the electrotechnical equipment, particular electrotechnical expertise is required.



Draft	Date	Approved	Date	Rev.	Eng. change number	Name	Date
S. Huber	28.02.2022	S. Huber	14.11.2023	200	23-v377	Fl. Öllerer	14.11.2023

Rosenberger Hochfrequenztechnik GmbH & Co. KG
 P.O.Box 1260 D-84526 Tittmoning Germany
www.rosenberger.com

Tel.: +49 8684 18-0
 Fax.: +49 8684 18-499
 email: info@rosenberger.com