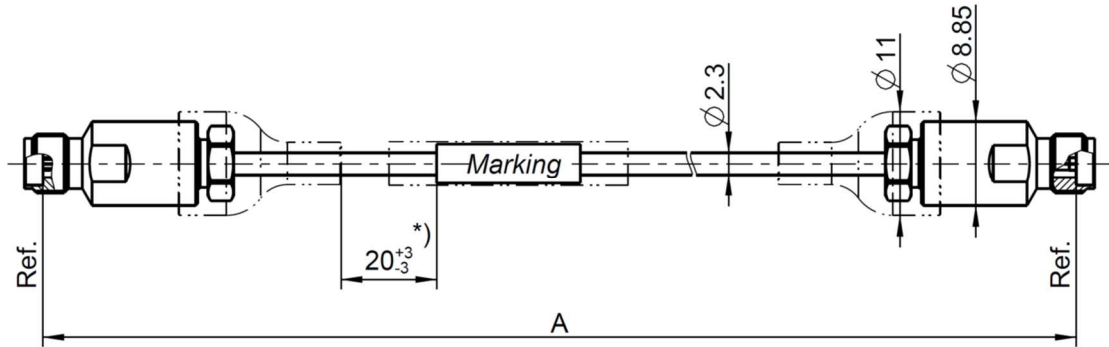



Cable assembly
RPC-2.92 jack – RTK 092-70 – RPC-2.92 jack

LU5-508-XXX



All dimensions are in mm; tolerances: ± 3 mm for $A \leq 300$ mm; $\pm 1\%$ for $A > 300$ mm
*) If length "A" < 150 mm marking is mount centric ± 5 mm

Available variants

Type	Insertion loss at 43.5 GHz	Marking	Weight (g) / pce
LU5-508-XXX	$\leq 0.00487 \text{ dB/mm} * A \text{ mm} + 0.9 \text{ dB}$	ROSENBERGER ssss LU5-508-XXX FAC-RRRRRRR 	$0.016 \text{ g/mm} * A \text{ mm} + 13.8 \text{ g}$

XXX – length in mm = A
ssss – serial no. FAC – Factory Code RRRRRRR – lot no. Barcode = includes factory code, lot no. and serial no.

Note: max. Insertion Loss:
First constant = Cable attenuation in dB / mm; Second Constant = Connector left and Connector right + needed Adaptor

Weight:
First constant = Cable- and Armour- weight per mm; Second Constant = Connector left and Connector right weight per pce

Assembly parts

Connector left	RPC-2.92 jack	02K129-2U5S3
Connector right	RPC-2.92 jack	02K129-2U5S3
Cable	RTK 092-70	

Electrical data

Impedance	50 Ω
Frequency	DC to 43.5 GHz
Return loss ¹	$\geq 17 \text{ dB}$, DC to 43.5 GHz
Insertion loss ¹	see table available variants

Individual testing and documentation:
Measurement plot with all 4 S-Parameters (S11; S22; S21; S12) and the care and handling instruction are included with the cable assembly. Measurement adaptors used are mentioned in the commentary field.

¹ Return Loss and Insertion Loss includes the measurement adaptor

Technical Data Sheet

Rosenberger

Cable assembly

RPC-2.92 jack – RTK 092-70 – RPC-2.92 jack

LU5-508-XXX

Mechanical data

Minimum bend radius:
Multiple 32 mm

Environmental data

Temperature range -40°C to +125°C
RoHS compliant

Dieses Dokument ist urheberrechtlich geschützt • This document is protected by copyright • Rosenberger Hochfrequenztechnik GmbH & Co. KG

While the information has been carefully compiled to the best of our knowledge, nothing is intended as representation or warranty on our part and no statement herein shall be construed as recommendation to infringe existing patents. In the effort to improve our products, we reserve the right to make changes judged to be necessary.

Draft	Date	Approved	Date	Rev.	Engineering change number	Name	Date
S. Andorfer	06.05.20	H. Babinger	17.08.21	200	21-v321	A. Youmsi	17.08.21

Rosenberger Hochfrequenztechnik GmbH & Co. KG P.O.Box 1260 D-84526 Tittmoning Germany www.rosenberger.de	Tel. : +49 8684 18-0 Email : info@rosenberger.de	Page 2 / 2
--	--	---------------

RF_35/09;14/6.2