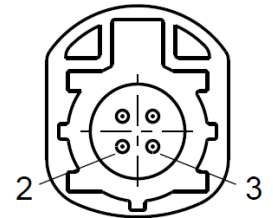
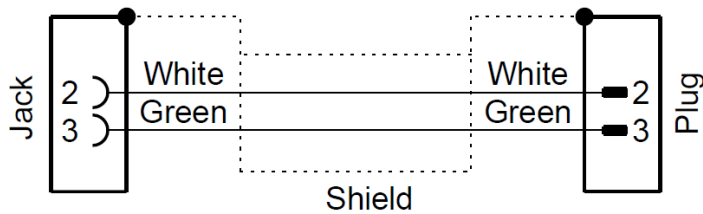
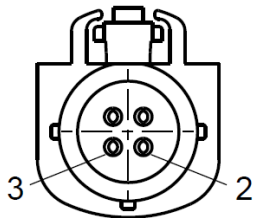
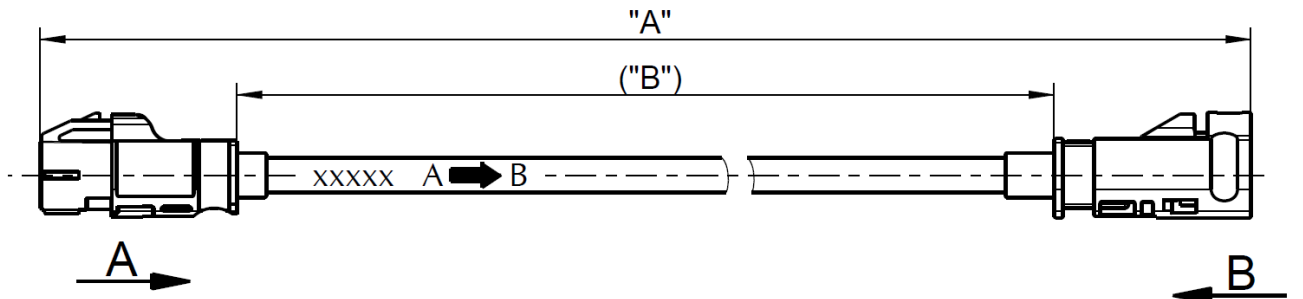


side A

side B



view A

view B

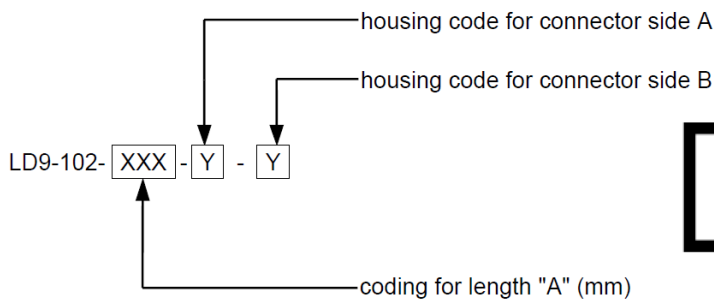
Dimensions (mm)			
Range (length "A")	200 to 1000	1001 to 5000	5001 to 20000
Tolerance (mm)	± 10	± 15	± 20

("B") = "A" - 52mm Typ.

**Interface**

According to

RN 119-01



**Preliminary**

While the information has been carefully compiled to the best of our knowledge, nothing is intended as representation or warranty on our part and no statement herein shall be construed as recommendation to infringe existing patents. In the effort to improve our products, we reserve the right to make changes judged to be necessary.

Draft	Date	Approved	Date	Rev.	Engineering change number	Name	Date
R. Gnodtke	03.03.17	F. Mayer	08.02.18	200	18-0265	T. Unterhauser	08.02.18