

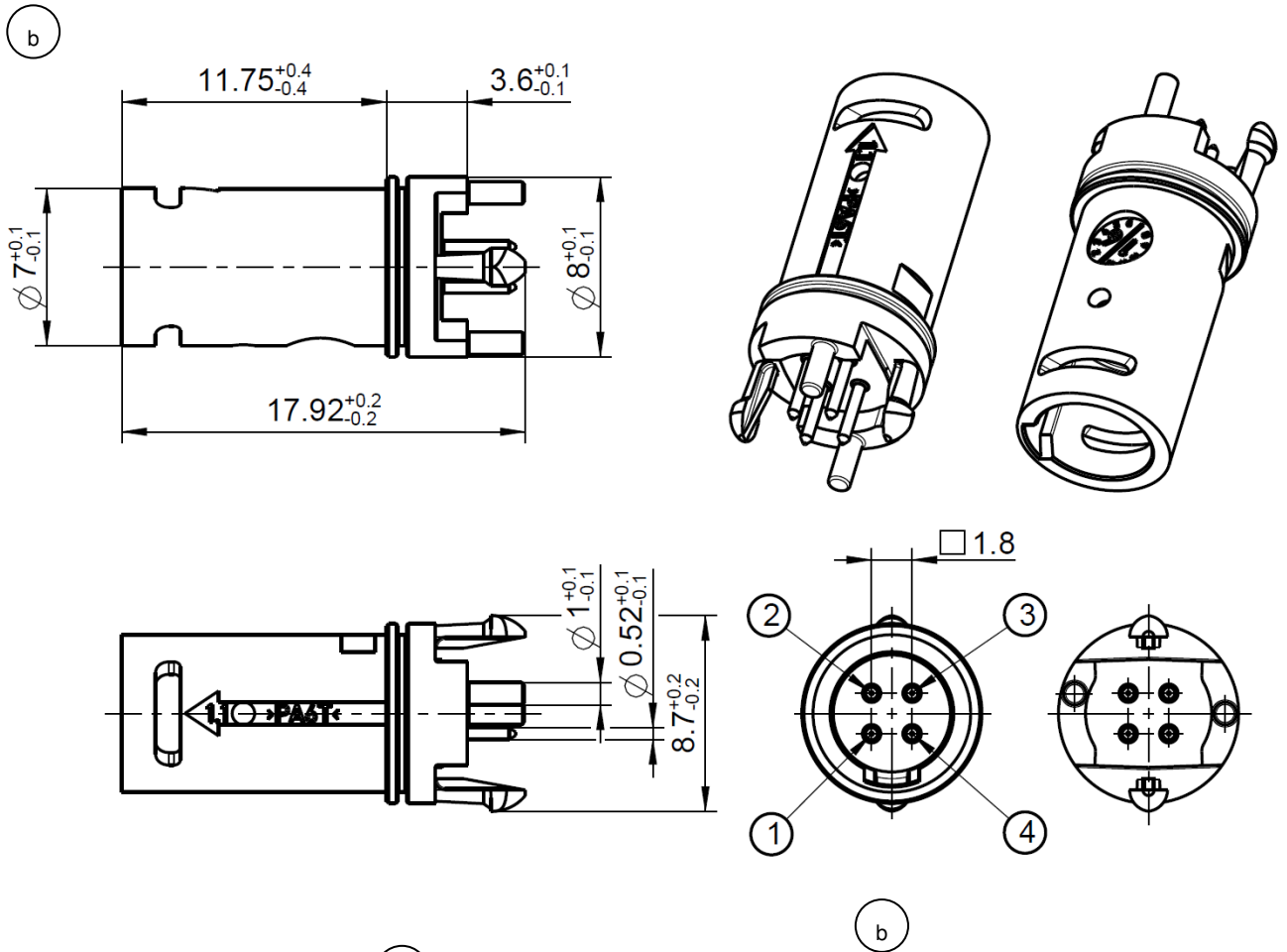
Technical Data Sheet

Rosenberger

RoDC®

STRAIGHT PLUG FOR
PCB

E2S102-400X5



All dimensions are in mm

Documents

Interface
PCB layout

Rosenberger internal standard
MB_552

Material and plating

Parts

Housing
Pins

Material

PA6T/66-GF30
Brass

Plating / Colour

black, sim. RAL 9005
Gold, min. 0.15 µm, over chemical nickel

Electrical data

Voltage class ≤ 60V DC
Ampacity ≤ 2A

Technical Data Sheet

Rosenberger

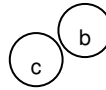
RoDC®

STRAIGHT PLUG FOR
PCB

E2S102-400X5

Mechanical data

Mating cycles min. 25
Engagement force max. 30N
Disengagement force min. 18N
Weight 0,6 g



Environmental data

Temperature range -40°C to +60°C
Water resistant DIN-EN-60529 IPX5 / IPX7; mated
RoHS compliant



Packing

Standard 100 pcs / Blister



Change history

Rev	Date	Change
b00	14.06.2021	Series designation "E2" => "RoDC" / "LEV connector" => "Straight plug for PCB" Pinning numbers in drawing added "tolerances according to ISO 2768 m-H" removed Line "Interface Rosenberger internal standard" added "Center contact" => "pins" / "spring bronze" => "brass" / plating information added ">25" => "min.25" / "<100N" => "max. 15N" / ">20N" => "min. 10N" / "IP class" removed "Water resistant" added "Weight" moved to "Mechanical data"
c00	05.01.2022	Engagement force "max. 15N" => "max. 30N" Disengagement force "min. 10N" => "min. 18N"

While the information has been carefully compiled to the best of our knowledge, nothing is intended as representation or warranty on our part and no statement herein shall be construed as recommendation to infringe existing patents. In the effort to improve our products, we reserve the right to make changes judged to be necessary.

Draft	Date	Approved	Date	Rev.	Engineering change number	Name	Date
S. Gründler	16.02.16	C. Biermann	05.01.22	c00	21-2494	U. Hasenöhr	05.01.22

Rosenberger Hochfrequenztechnik GmbH & Co. KG
P.O.Box 1260 D-84526 Tittmoning Germany
www.rosenberger.de

Tel. : +49 8684 18-0
Email : info@rosenberger.de

Page

2 / 2