

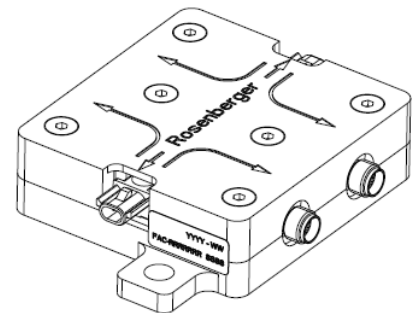
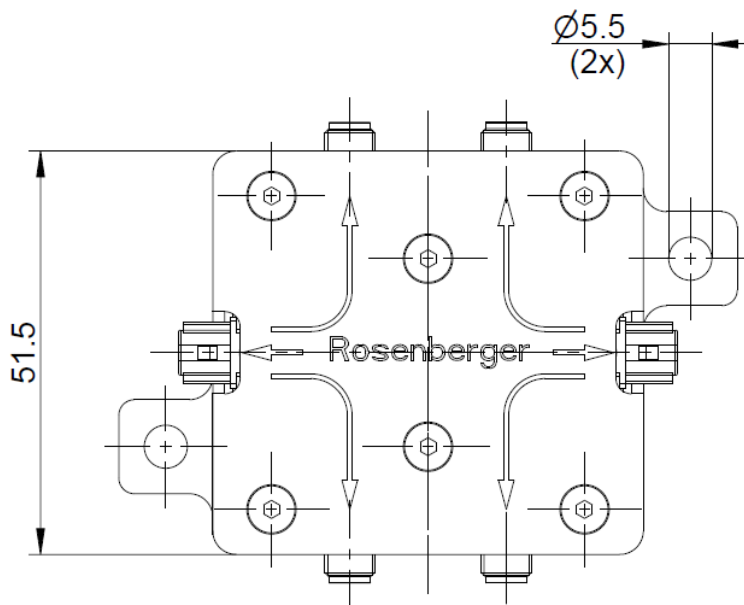
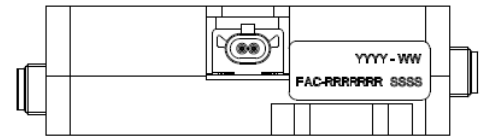
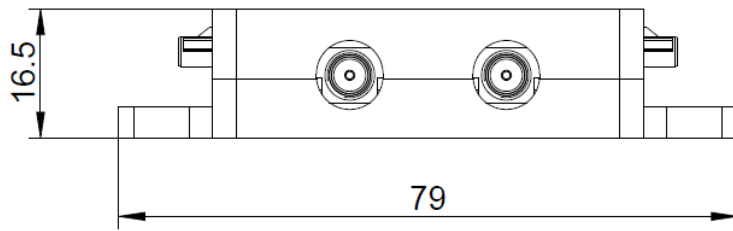
# Technical Data Sheet

# Rosenberger

BroadR-Reach

Differential coupler  
MTD®

## DCDP-MTD-1G



All dimensions are in mm; tolerances according to ISO 2768 m-H

### Documents

Measurement report (Printout included)  
User manual

Contains test setup and measurement results  
See separate PDF-file (on request)

### Technical data connector

Technical properties SMA  
Technical properties MTD®

See separate datasheet of 32K264-40ML5 (on request)  
See separate datasheet of E7S22A-40MX5-Z (on request)

### Cable assembly

Suitable cable assemblies (2 pcs included)

LAQ-111-1000-Z-Z  
LAQ-114-1000-Z

(MTD to MTD, length 1 m)  
(MTD to open end, length 1 m)

### Additional accessories

cable assemblies  
SMA male to SMA male  
RPC-3.50 male to RPC-3.50 male \*)

LA2-500-xxx  
LU7-504-xxx

RTK 081, ultra low loss cable  
RTK 162, phase stable cable

\*) RPC-3.50 is mechanically compatible with RPC-2.92 and SMA

# Technical Data Sheet

# Rosenberger

BroadR-Reach

Differential coupler  
MTD®

**DCDP-MTD-1G**

## Electrical data

Frequency	1 MHz to 600 MHz
Differential Return loss	≥ 15 dB
Differential Mainline Loss	≤ 1 dB
Coupling Attenuation Forward	20 dB ± 1 dB
Coupling Attenuation Backward	20 dB ± 1 dB
Differential Directivity Forward	≥ 20 dB
Differential Directivity Backward	≥ 14 dB
Longitudinal Conversion Loss	≥ 35 dB
Longitudinal Conversion Transfer Loss	≥ 35 dB
Maximum Input Power	+ 27 dBm

- Note: All values are typical values at ambient temperature -

## Environmental data

Temperature Range	-40°C to +70°C
Thermal shock	IEC 61169-1, Subclause 9.4.4
Corrosion	IEC 61169-1, Subclause 9.4.6
Vibration	IEC 61169-1, Subclause 9.3.3
Shock	IEC 61169-1, Subclause 9.3.14
Moisture resistance	IEC 61169-1, Subclause 9.4.3
RoHS	compliant

## Weight

~170 g/pce

While the information has been carefully compiled to the best of our knowledge, nothing is intended as representation or warranty on our part and no statement herein shall be construed as recommendation to infringe existing patents. In the effort to improve our products, we reserve the right to make changes judged to be necessary.

For the installation of the electrotechnical equipment, particular electrotechnical expertise is required.



Draft	Date	Approved	Date	Rev.	Engineering change number	Name	Date
F. Reiner	08.07.21	F. Reiner	16.01.23	200	23-v021	A. Kott	16.01.23

Rosenberger Hochfrequenztechnik GmbH & Co. KG  
P.O.Box 1260 D-84526 Tittmoning Germany  
[www.rosenberger.com](http://www.rosenberger.com)

Tel. : +49 8684 18-0  
Email : [info@rosenberger.com](mailto:info@rosenberger.com)

Page

2 / 2