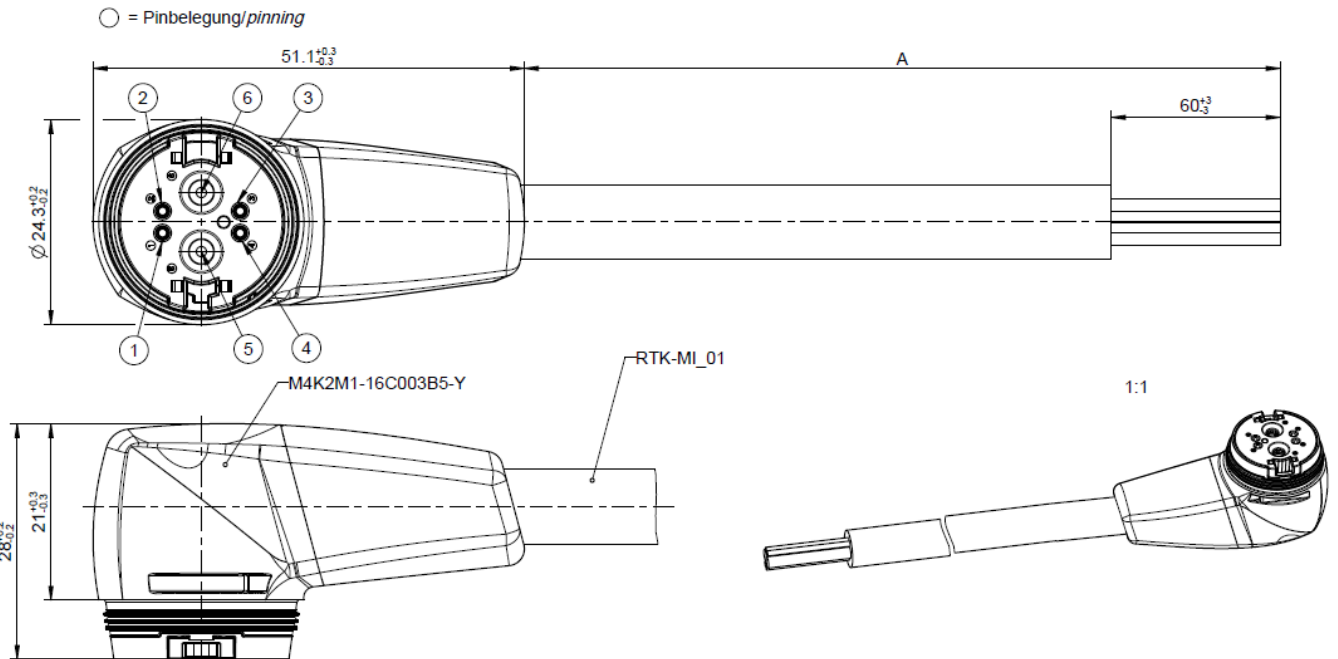


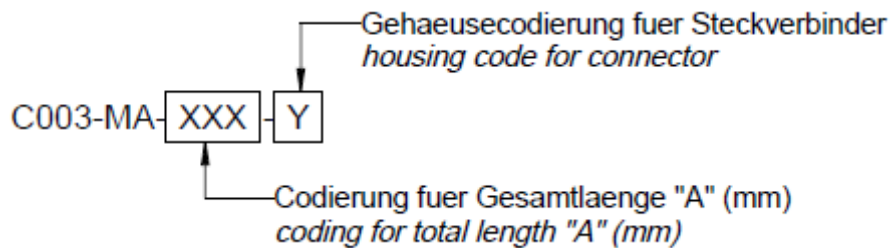
M4

Charging connector jack  
Right angle, white

**C003-MA-XXX-Y**



All dimensions are in mm; tolerances according to ISO 2768 c-H



|                   | cable length [mm] |              |              |        |
|-------------------|-------------------|--------------|--------------|--------|
| Range length "a"  | 100 to 1000       | 1001 to 2000 | 2001 to 5000 | > 5000 |
| Tolerance for "a" | ± 5               | ± 10         | ± 20         | ± 1%   |

**General Information**

RoPD cable assembly with break-off plug consisting of

Break-off plug with magnets  
Cable  
Second side  
Color

Charging connector jack, right angle  
RTK-MI 01  
Open  
White, similar RAL 9003

**Preliminary**

Dieses Dokument ist urheberrechtlich geschützt • This document is protected by copyright • Rosenberger Hochfrequenztechnik GmbH & Co. KG

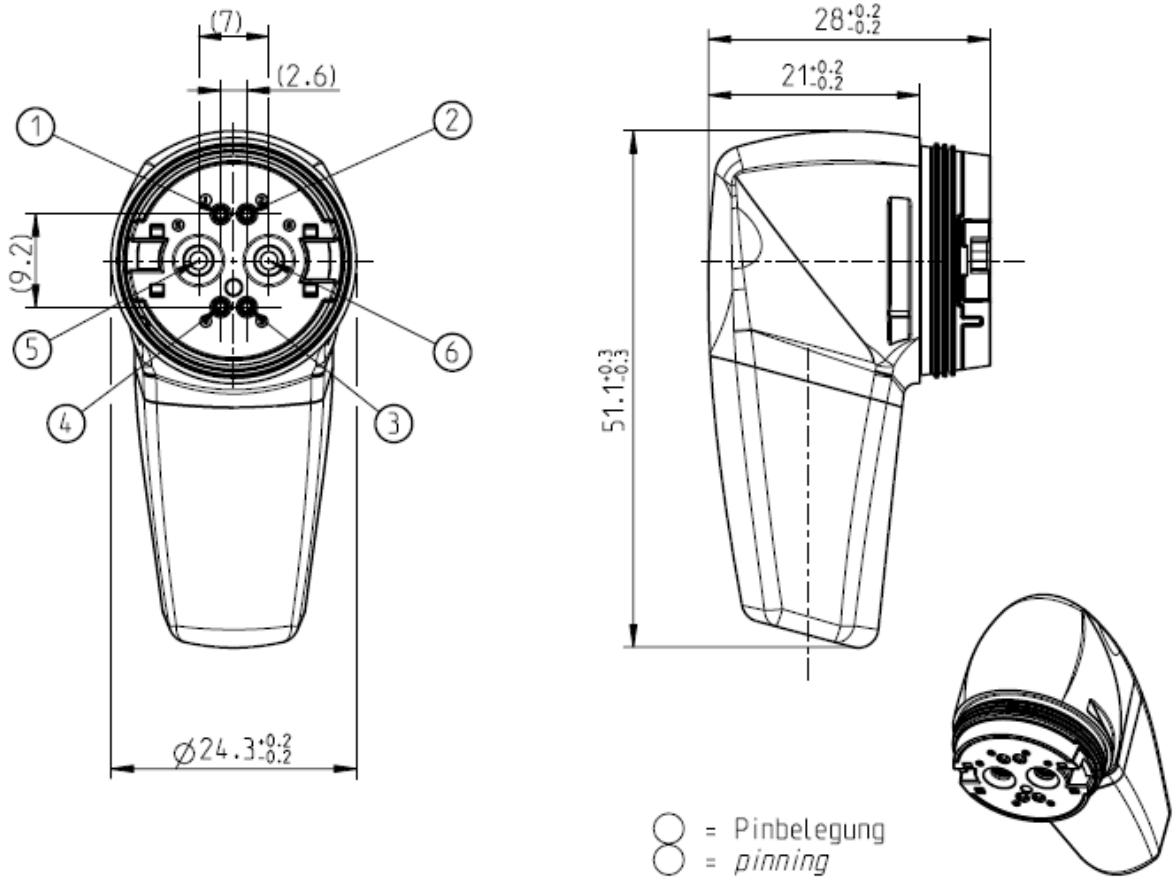
RF\_35/05.10/6.0

M4

Charging connector jack  
Right angle, white

**C003-MA-XXX-Y**

**Technical Data break-off plug**



| Pin | colour | cable cross section  |
|-----|--------|----------------------|
| 1   | green  | 0.35 mm <sup>2</sup> |
| 2   | blue   | 0.35 mm <sup>2</sup> |
| 3   | orange | 0.35 mm <sup>2</sup> |
| 4   | brown  | 0.35 mm <sup>2</sup> |
| 5   | red    | 2.5 mm <sup>2</sup>  |
| 6   | black  | 2.5 mm <sup>2</sup>  |

All dimensions are in mm; tolerances according to ISO 2768 m-H

**Interface**

According to

Rosenberger Standard

**Preliminary**

M4

Charging connector jack  
Right angle, white

**C003-MA-XXX-Y**

**Material and Plating break-off plug**

**Connector parts**

Housing  
Dielectric  
Sealing  
Magnets  
Bend protection, overmolded

**Material**

PBT  
PBT  
VMQ Silicone  
NdFeB  
TPU

**Plating / Color**

White, similar RAL 9003  
White, similar RAL 9003  
Nickel plated  
White, similar RAL 9003

**Pins 1-4, spring loaded contacts**

Piston  
Ferrule  
Spring

**Material**

Brass  
Brass  
Stainless steel wire

**Plating / Color**

Gold plated  
Gold plated

**Pins 5-6**

Power Pin  
Power Contact

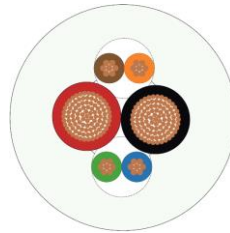
**Material**

Brass  
Beryllium copper

**Plating / Color**

Silver  
Silver

**Cable**



RTK-MI 01

**Flammability rating**

**Connector parts**

Housing  
Dielectric  
Sealing  
Bend protection  
Cable

**Category**

Uncolored raw material acc. to UL94 V-0\*  
Uncolored raw material acc. to UL94 V-0\*  
Uncolored raw material acc. to UL94 HB\*  
Uncolored raw material acc. to UL94 HB\*  
UL-Style 21328 (80 °C/150 V)

\*Please note that a non UL rated color batch is added

**Preliminary**

M4

Charging connector jack  
Right angle, white

**C003-MA-XXX-Y**

**Electrical data**

**Pins 1-4**

|                       |                 |
|-----------------------|-----------------|
| Insulation resistance | ≥ 1 x100 MΩ     |
| Contact resistance    | ≤ 40 mΩ initial |
| Working voltage       | 12 V            |
| Max. Current          | 2 A per pin     |

**Pins 5-6**

|                       |             |
|-----------------------|-------------|
| Insulation resistance | ≥ 1 x100 MΩ |
| Power current         | ≤ 25 A DC   |
| Contact resistance    | ≤ 7 mΩ      |
| Working voltage       | ≤ 60 V DC   |

**Warning!**

**Customer is responsible for implementing adequate safety measures:  
Power supply to Pins 5 & 6 must be deactivated unless they are completely plugged in.  
Power to pins 5 & 6 must only be activated upon full insertion of signal pins 1 - 4.  
Misuse may damage contact!**

**Mechanical data**

|                                  |            |
|----------------------------------|------------|
| Mating cycles                    | min. 2.500 |
| Disengagement force each contact | min. 25 N  |

**Environmental data**

|  |   |
|--|---|
| Temperature range                          | -40 °C to +65 °C                              |
| Thermal shock                              | DIN IEC 60068-2-14 Test NA                    |
| Temperature and humidity                   | DIN EN 60068-2-30 (2)                         |
| Vibration resistance                       | 3 axes, 6h, 10Hz-180Hz, 12.38m/s <sup>2</sup> |
| Shock resistance                           | 3 axes, 150 shocks, 6ms, 30g                  |
| Mechanical Shock                           | DIN IEC 60068-2-27                            |
| High-Temp. Exposure                        | DIN IEC 60068-2-2                             |
| Degree of protection (connected with plug) | DIN EN 60529 IP64/IP67                        |

**Compliance**

RoHS compliant



**Preliminary**

Dieses Dokument ist urheberrechtlich geschützt • This document is protected by copyright • Rosenberger Hochfrequenztechnik GmbH & Co. KG

RF\_35/05.10/6.0

# Technical Data Sheet

# Rosenberger

M4

Charging connector jack  
Right angle, white

**C003-MA-XXX-Y**

## Packing

According to VK 18.0000

Packaging Instruction for standard packaging of components with magnets.  
Packing unit depends on cable length, max. 8kg

**Preliminary**

### Caution!

**Magnets can impact the function of pace makers and implantable cardioverter-defibrillators (e.g. actuation of reed switch). Keep a minimum distance of 0.2 m (20 cm) between the magnetic connector and the implanted devices to prevent malfunction and danger to health.**

While the information has been carefully compiled to the best of our knowledge, nothing is intended as representation or warranty on our part and no statement herein shall be construed as recommendation to infringe existing patents. In the effort to improve our products, we reserve the right to make changes judged to be necessary.

| Draft          | Date     | Approved       | Date       | Rev. | Engineering change number | Name          | Date       |
|----------------|----------|----------------|------------|------|---------------------------|---------------|------------|
| T. Scheuerlein | 02.02.17 | T. Scheuerlein | 14.02.2024 | 200  | 24-0004                   | S. Hofmeister | 14.02.2024 |

|  |   |               |
|--|---|---------------|
| Rosenberger Hochfrequenztechnik GmbH & Co. KG<br>P.O.Box 1260 D-84526 Tittmoning Germany<br><a href="http://www.rosenberger.de">www.rosenberger.de</a> | Tel. : +49 8684 18-0<br>Fax : +49 8684 18-499<br>Email : <a href="mailto:info@rosenberger.de">info@rosenberger.de</a> | Page<br>5 / 5 |
|--|---|---------------|