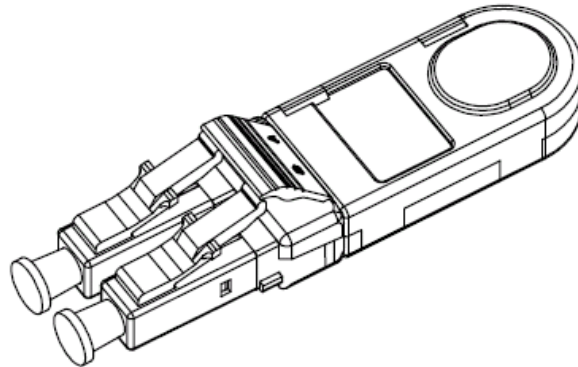


LC

LC Loopback, 9/125 µm

98LCS120-L01



Description

Loopback adapter for LC Duplex Connector, singlemode version; Both optical contacts are connected together. It allows a self-test of a device or a measurement of a link from one side

Interface

According to IEC 61754-20
Telcordia GR- 326

Fiber type

Singlemode,- (acc. to ITU G657.A2) 9/125 µm

Optical data

Connector LC/UPC (duplex / distinctively marked)
Return loss ≥ 50 dB
Insertion loss 0.5 dB dB max
Operating wavelengths 1260nm -1610nm
Insertion loss repeatability per connector for 100 cycles 0,1dB (max)
Wavelength dependent loss per connector 0,1dB (max)
Temperature dependent loss per connector 0,1dB (max)

Material and plating

Physical Protection Requirements compliant to GR-63

Mechanical data

Mating cycles ≥ 500 (random)
Dust caps included

Environmental data

Temperature range -5 °C to 65 °C
RoHS Compliant
Flammability UL94V-0

While the information has been carefully compiled to the best of our knowledge, nothing is intended as representation or warranty on our part and no statement herein shall be construed as recommendation to infringe existing patents. In the effort to improve our products, we reserve the right to make changes judged to be necessary.

Dieses Dokument ist urheberrechtlich geschützt • This document is protected by copyright • Rosenberger Hochfrequenztechnik GmbH & Co. KG

RF_35/06.10/1.0

Draft	Date	Approved	Date	Rev.	Engineering change number	Name	Date
S. Schmidt	04/04/13	S. Gleich	26/04/13	A00	14-0004	U.Albrecht	09/12/14
Rosenberger Hochfrequenztechnik GmbH & Co. KG P.O.Box 1260 D-84526 Tittmoning Germany www.rosenberger.de					Tel. : +49 8684 18-0 Email : info@rosenberger.de		Page 1 / 1