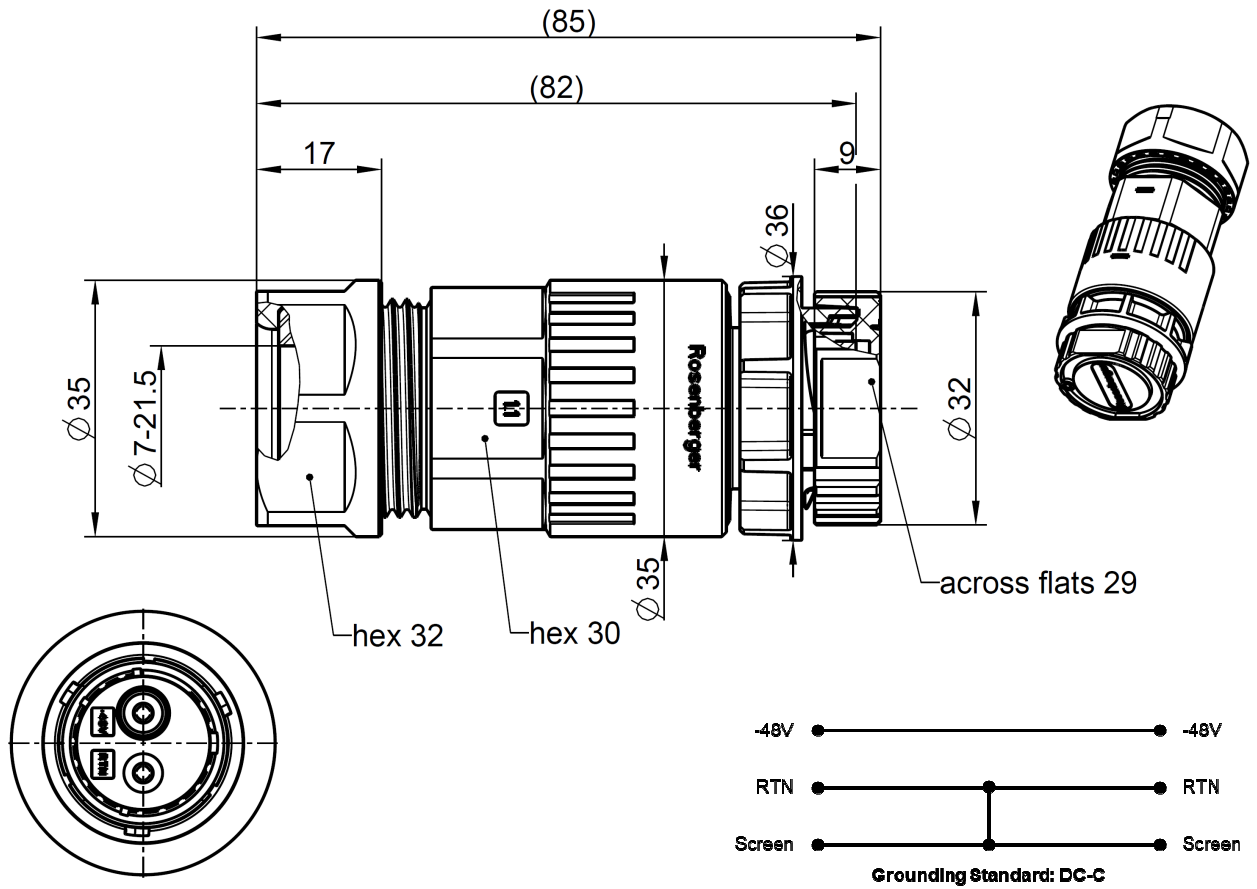


Multi-Power

EMI shielded
2-way cable plug

7F2RS106B-0M16T1



All dimensions are in mm; tolerances according to ISO 2768 m-H

Documents

Assembly instruction 70B5

Material and plating

Connector parts

Connector parts	Material
Outer contact	ZnAl4Cu1
Dielectric	PA66/6T
Insert	CuBe
Body	PA
Gasket	Silicone
Cap nut	PA

Plating

Tin
Silver over nickel

Dieses Dokument ist urheberrechtlich geschützt • This document is protected by copyright • Rosenberger Hochfrequenztechnik GmbH & Co. KG

RF_35/05:10/6.0

Multi-Power

EMI shielded
2-way cable plug

7F2RS106B-0M16T1

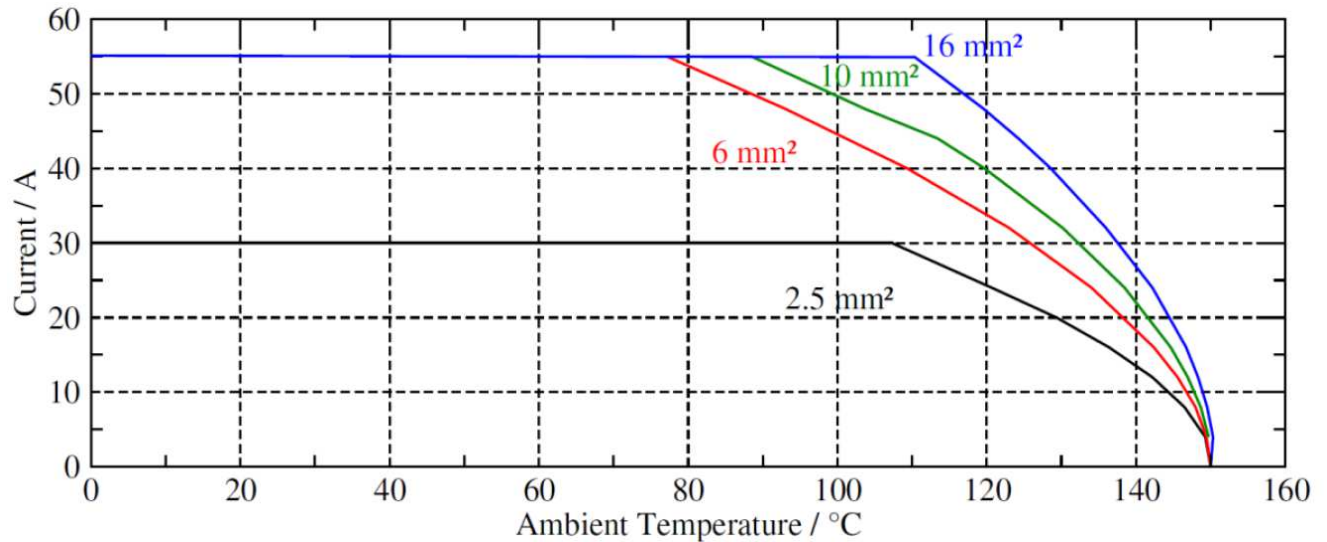
Electrical data

Contact resistance ≤ 4 mΩ @ insert
 ≤ 1 mΩ @ outer contact

Working voltage ≤ 60V DC

Test voltage ≤ 300V DC

Contact current (acc. to chart)



- Test according to IEC 60512-5-2, samples free in air, connected with 2.5, 6, 10 and 16mm² cables. Limitations possible due to different test conditions -

Mechanical data

Mating cycles ≥ 100

Mating force ≤ 150N

Un-mating force ≤ 150N

Coupling torque 0.3Nm to 1Nm

Interface retention force ≥ 200N

Pin -48V Hot contact

Pin RTN 0V – Return

Grounding Standard Common DC return (DC-C)

Environmental data

Temperature range -40°C to +85°C

Climatic test IEC 60068-2-38 (-40°C / +85°C, 5-90 % rel. humidity)

Corrosion resistance EIA-364-65B, Class IIIA

Vibration IEC 60068-2-6

Moisture resistance IEC 60068-2-78

Degree of protection (mated pair) IEC 60529, IP67

Flammability class UL94 V0

RoHS compliant

Dieses Dokument ist urheberrechtlich geschützt • This document is protected by copyright • Rosenberger Hochfrequenztechnik GmbH & Co. KG

RF_35/05:10/6.0

