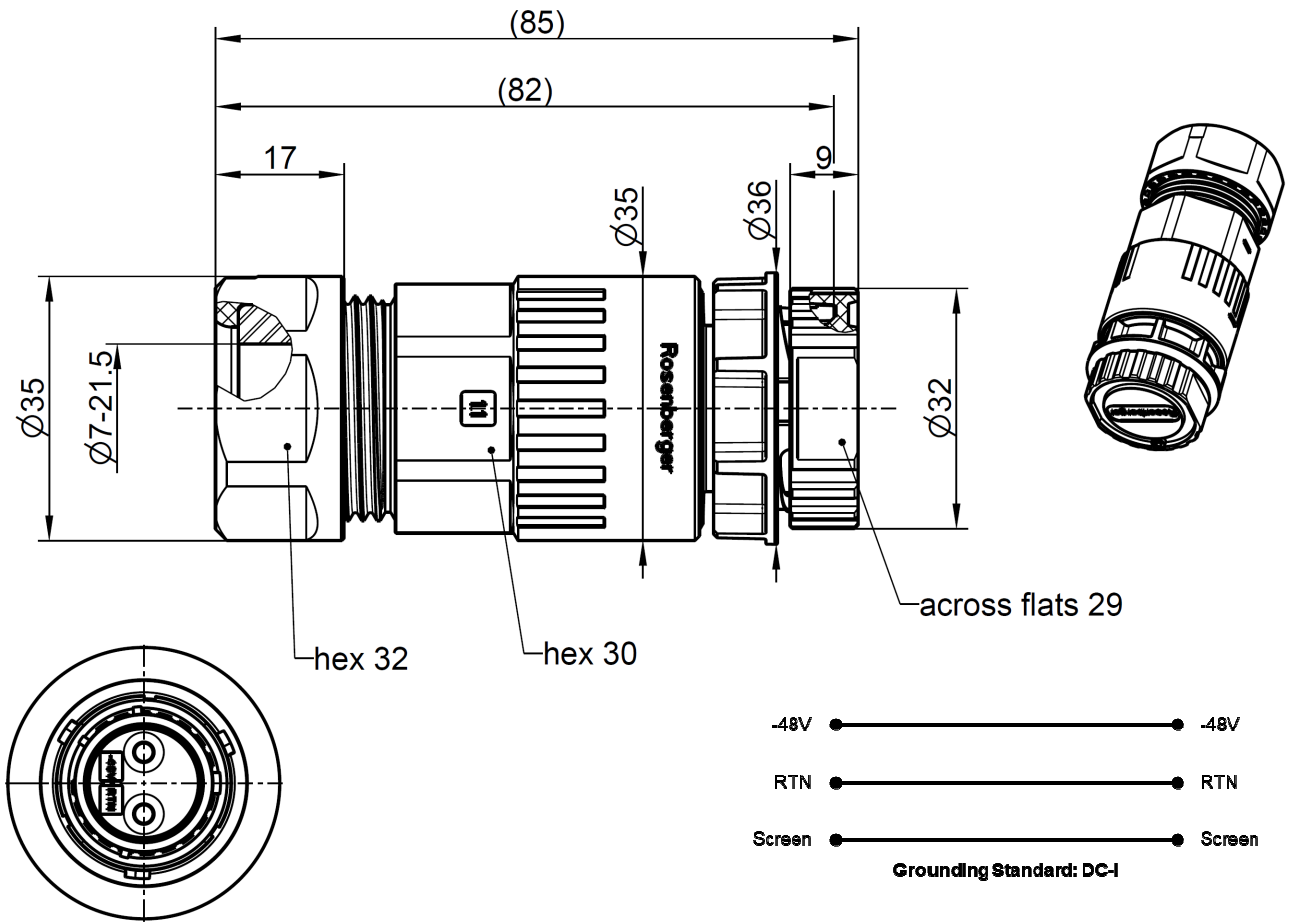


Multi-Power

EMI shielded  
3-way cable plug

**7F2RS105B-0M16T1**



All dimensions are in mm; tolerances according to ISO 2768 m-H

**Documents**

Assembly instruction 70B5

**Material and plating**

**Connector parts**

Outer contact  
Dielectric  
Insert  
Body  
Gasket  
Cap nut

**Material**

ZnAl4Cu1  
PA66/6T  
CuBe  
PA  
Silicone  
PA

**Plating**

Tin  
  
Silver over nickel

Dieses Dokument ist urheberrechtlich geschützt • This document is protected by copyright • Rosenberger Hochfrequenztechnik GmbH & Co. KG

RF\_35/05:10/6.0

Multi-Power

EMI shielded  
3-way cable plug

**7F2RS105B-0M16T1**

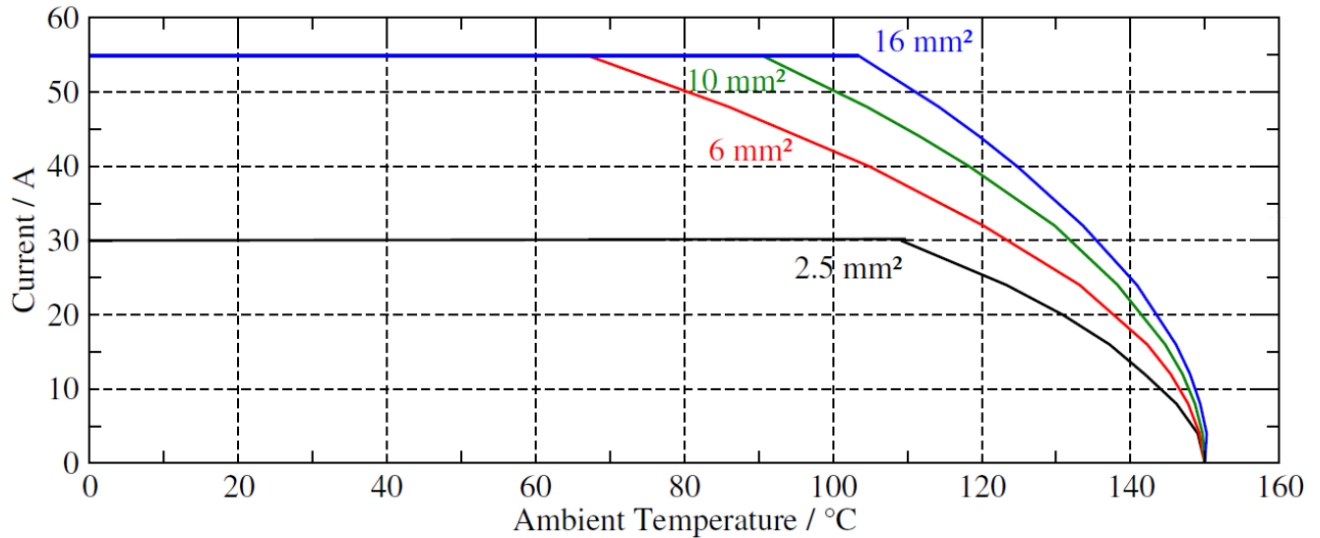
**Electrical data**

Contact resistance                    ≤ 4 mΩ @ insert  
     ≤ 1 mΩ @ outer contact

Working voltage                        ≤ 60V DC

Test voltage                            ≤ 300V DC

Contact current                        (acc. to chart)



- Test according to IEC 60512-5-2, samples free in air, connected with 2.5, 6, 10 and 16mm² cables. Limitations possible due to different test conditions -

**Mechanical data**

Mating cycles                         ≥ 100

Mating force                          ≤ 150N

Un-mating force                      ≤ 150N

Coupling torque                      0.3Nm to 1Nm

Interface retention force            ≥ 200N

Pin -48V                                Hot contact

Pin RTN                                 0V – Return

Grounding Standard                 Isolated DC return (DC-I)

**Environmental data**

Temperature range                    -40°C to +85°C

Climatic test                         IEC 60068-2-38 (-40°C / +85°C, 5-90 % rel. humidity)

Corrosion resistance                EIA-364-65B, Class IIIA

Vibration                              IEC 60068-2-6

Moisture resistance                 IEC 60068-2-78

Degree of protection (mated pair) IEC 60529, IP67

Flammability class                 UL94 V0

RoHS                                     compliant

Dieses Dokument ist urheberrechtlich geschützt • This document is protected by copyright • Rosenberger Hochfrequenztechnik GmbH & Co. KG

RF\_35/05:10/6.0

# Technical Data Sheet

# Rosenberger

Multi-  
Power

EMI shielded  
3-way cable plug

## 7F2RS105B-0M16T1

### Cable

Cable outer diameter       $\varnothing$  7 – 21.5mm  
     $\varnothing$  0.28" – 0.84"

Copper wire gauge              2.5mm<sup>2</sup> - 16mm<sup>2</sup>  
    AWG 6 - 12

### Weight

Weight                              110 g/pce

**Power supply to pins must be deactivated unless they are completely plugged in. Misuse may damage contact. Rosenberger declines all liabilities to cross-compatibility to other competitors' connectors.**

While the information has been carefully compiled to the best of our knowledge, nothing is intended as representation or warranty on our part and no statement herein shall be construed as recommendation to infringe existing patents. In the effort to improve our products, we reserve the right to make changes judged to be necessary.

For the installation of the electrotechnical equipment, particular electrotechnical expertise is required.



Draft	Date	Approved	Date	Rev.	Engineering change number	Name	Date
J. Fuchs	16.12.2019	J. Fuchs	23.11.2023	c00	22-1972	S. Schmitz	23.11.2023

<b>Rosenberger Hochfrequenztechnik GmbH &amp; Co. KG</b> P.O.Box 1260 D-84526 Tittmoning Germany <a href="http://www.rosenberger.com">www.rosenberger.com</a>				Tel. : +49 8684 18-0 Email : <a href="mailto:info@rosenberger.com">info@rosenberger.com</a>			<b>Page</b>  3 / 3
---	--	--	--	--	--	--	--------------------------