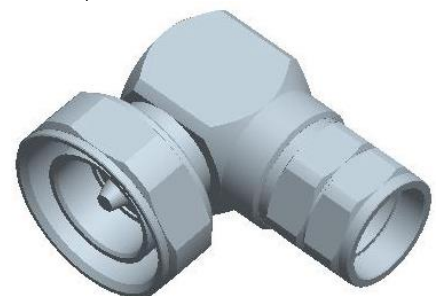
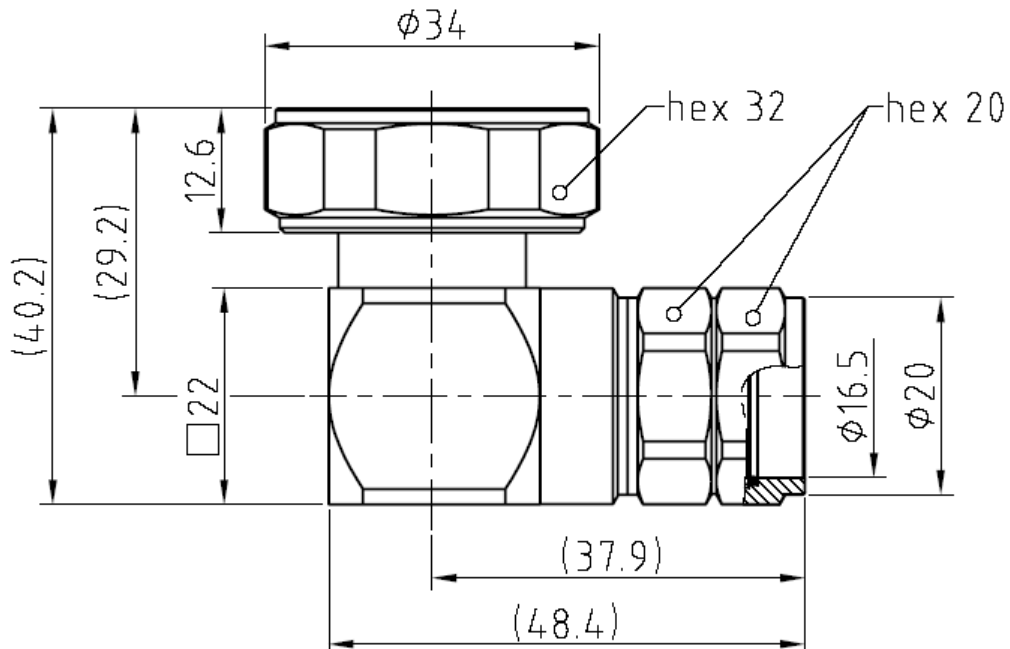


7-16

RIGHT ANGLE PLUG  
(1/2"R)

60S2C7-C03N1



All dimensions are in mm; tolerances according to ISO 2768 m-H

**Interface**

According to IEC 61169-4, EN 122190, DIN 47223

**Documents**

Assembly instruction MA\_1C7-C03

**Material and plating**

**Connector parts**

	Material	Plating
Center contact (interface side)	Spring bronze	Silver, 3-6 µm
Center contact (cable side)	Spring bronze	Silver, 3-6 µm
Outer contact	Brass	Flash white bronze over silver(e.g. Optargen®)
Back nut	Brass	Nickel, 2.5-5 µm
Dielectric	TPX&PTFE&POM	
Gasket	Silicone&EPDM	

Dieses Dokument ist urheberrechtlich geschützt • This document is protected by copyright • Rosenberger Hochfrequenztechnik GmbH & Co. KG

RF\_35/05.10/6.0

7-16

**RIGHT ANGLE PLUG**  
(1/2"R)

**60S2C7-C03N1**

**Electrical data**

Impedance	50 Ω
Frequency	DC to 8.3 GHz
Return loss	≥ 35 dB @ DC to 1 GHz ≥ 30 dB @ 1 GHz to 3.8 GHz ≥ 23 dB @ 3.8 GHz to 6 GHz
Insertion loss	≤ 0.05 dB
Insulation resistance	≥ 10 GΩ
Center contact resistance	≤ 0.4 mΩ
Outer contact resistance	≤ 1.5 mΩ
Working voltage (at sea level)	500 V rms
Power handling (at 20 °C, sea level, VSWR 1.0)	1800 W @ 1 GHz 800 W @ 4 GHz
Intermodulation 3 <sup>rd</sup> order	≥ 160 dBc (2 x 43 dBm)

- Limitations are possible due to the used cable type -

**Mechanical data**

Mating cycles	≥ 500
Coupling nut retention	≥ 1000 N
Center contact captivation: axial	≥ 200 N
radial	≥ 2 Ncm
Coupling torque(recommended)	25 to 30 Nm
Proof torque	≤ 35 Nm

**Environmental data**

Temperature range	-45 ° C to +85 ° C
Rapid change of temperature	DIN EN 122190, Sub-clause 4.6.7
Corrosion resistance	DIN EN 122190, Sub-clause 4.6.10
Vibration	DIN EN 122190, Sub-clause 4.6.3
Climatic category	DIN EN 122190, Sub-clause 4.6.5 (45/85/21)
Damp heat	DIN EN 122190 , Sub-clause 4.6.6
Degree of protection (mated pair)	IEC 60529, IP68
2002/95/EC (RoHS)	compliant

**Tooling**

Stripping tool	60W110-C03
----------------	------------

**Suitable cables**

SL 012R Series (Recommend)

**Packing**

Standard	1 pce in bag
Weight	140 g/pce

While the information has been carefully compiled to the best of our knowledge, nothing is intended as representation or warranty on our part and no statement herein shall be construed as recommendation to infringe existing patents. In the effort to improve our products, we reserve the right to make changes judged to be necessary.

Draft	Date	Approved	Date	Rev.	Engineering change number	Name	Date
Roger	20/05/09	Heanyang	30/07/19	e00	19-s001	Liubinke	30/07/19
Rosenberger Hochfrequenztechnik GmbH & Co. KG, Germany Tel.: +49 8684 18-0 Fax: +49 8684 18-499 www.rosenberger.de email: info@rosenberger.de				Rosenberger Asia Pacific Electronic Co., Ltd., China Tel.: +86 10 80481995 Fax: +86 10 80497052 www.rosenbergerap.com email:info@rosenbergerap.com			Page 2 / 2