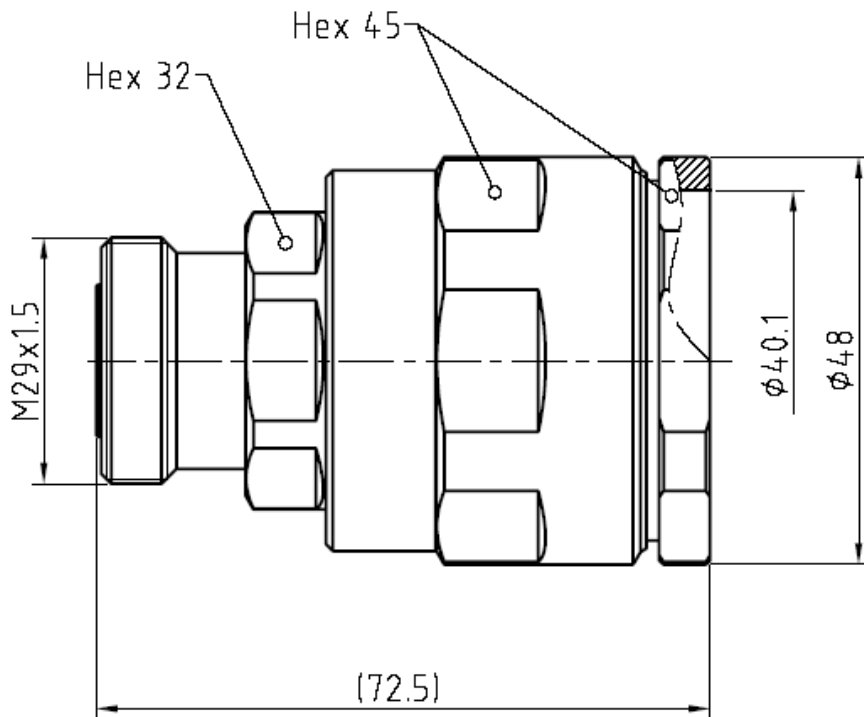


7-16

STRAIGHT JACK
(1-1/4"R)

60K1D7-C06N1



All dimensions are in mm; tolerances according to ISO 2768 m-H

Interface

According to IEC 61169-4, EN 122190, DIN 47223

Documents

Assembly instruction MA_1D7-C06

Material and plating

Connector parts

Center contact
Outer contact
Body
Dielectric
Gasket

Material

Spring bronze
Brass
Brass
TPX
Silicone

Plating

Silver, 3-6 μm
Flash white bronze over silver(e.g. Optargen®)
Nickel, 2.5-5 μm

Dieses Dokument ist urheberrechtlich geschützt • This document is protected by copyright • Rosenberger Hochfrequenztechnik GmbH & Co. KG

RF_35/05.10/6.0

7-16

STRAIGHT JACK
(1-1/4"R)

60K1D7-C06N1

Electrical data

Impedance	50 Ω
Frequency	DC to 8.3 GHz
Return loss	≥ 35 dB @ DC to 1 GHz ≥ 34 dB @ 1 GHz to 2.7 GHz
Insertion loss	≤ 0.05 dB
Insulation resistance	≥ 10 GΩ
Center contact resistance	≤ 0.4 mΩ
Outer contact resistance	≤ 1.5 mΩ
Working voltage (at sea level)	500 V rms
Power handling (at 20 °C, sea level, VSWR 1.0)	1800 W @ 1 GHz 800 W @ 4 GHz
Intermodulation (3 rd order)	≥ 160 dBc (2 x 43 dBm)

- Limitations are possible due to the used cable type -

Mechanical data

Mating cycles	≥ 500
Center contact captivation: axial	≥ 200 N
radial	≥ 2 Ncm
Coupling torque (recommended)	25 to 30 Nm
Proof torque	≤ 35 Nm

Environmental data

Temperature range	-45 ° C to +85 ° C
Rapid change of temperature	DIN EN 122190, Sub-clause 4.6.7
Corrosion resistance	DIN EN 122190, Sub-clause 4.6.10
Vibration	DIN EN 122190, Sub-clause 4.6.3
Climatic category	DIN EN 122190, Sub-clause 4.6.5 (45/85/21)
Damp heat	DIN EN 122190 , Sub-clause 4.6.6
Degree of protection (mated pair)	IEC 60529, IP68
2002/95/EC (RoHS)	compliant

Tooling

Stripping tool	60W110-C06
----------------	------------

Suitable cables

SL 114R Series (Recommended)

Packing

Standard	1 pce in bag
Weight	259.3 g/pce

While the information has been carefully compiled to the best of our knowledge, nothing is intended as representation or warranty on our part and no statement herein shall be construed as recommendation to infringe existing patents. In the effort to improve our products, we reserve the right to make changes judged to be necessary.

Draft	Date	Approved	Date	Rev.	Engineering change number	Name	Date
ZhaiQK	16/04/11	Heanyang	14/03/18	d	18-0443	Songxianglong	14/03/18
Rosenberger Hochfrequenztechnik GmbH & Co. KG, Germany Tel.: +49 8684 18-0 Fax: +49 8684 18-499 www.rosenberger.de email: info@rosenberger.de				Rosenberger Asia Pacific Electronic Co., Ltd., China Tel.: +86 10 80481995 Fax: +86 10 80497052 www.rosenbergerap.com email:info@rosenbergerap.com			Page 2 / 2