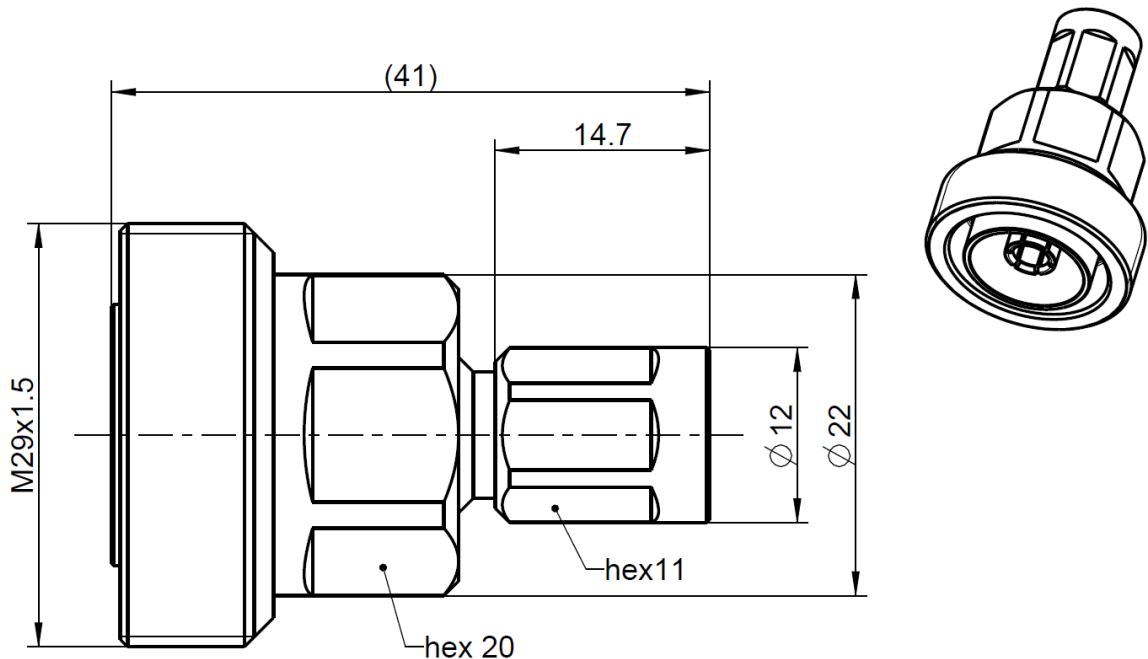


7-16
NEX10

Adaptor
7-19 Jack – NEX10® Plug

60K189-S00N1



All dimensions are in mm; tolerances according to ISO 2768 m-H

Interface

According to	NEX10 side:	NEX10®
	7-16 side:	IEC 60169-4, VG 95250, EN 122190, DIN 47223

Material and Plating

Connector parts

Center contact	NEX10 side:	Spring bronze	Plating	Silver, 3-6 µm
Center contact	7-16 side:	Spring bronze		Silver, 3-6 µm
Outer contact	NEX10 side:	Spring bronze		Silver, 3-6 µm
Outer contact	7-16 side:	Brass		White bronze(e.g. Optalloy®)
Body		Brass		White bronze(e.g. Optalloy®)
Dielectric		PTFE		
Gasket		Silicone		

Technical Data Sheet

Rosenberger

7-16
NEX10

Adaptor
7-19 Jack – NEX10® Plug

60K189-S00N1

Electrical Data

Impedance	50 Ω
Frequency	DC to 8.3 GHz
Return loss	≥ 30 dB @ DC to 4 GHz
Insertion loss	≤ 0.03 x √f [GHz] dB
Insulation resistance	≥ 5 GΩ
Center contact resistance	≤ 2.0 mΩ, NEX10 side ≤ 0.4 mΩ, 7-16 side
Outer contact resistance	≤ 1.0 mΩ, NEX10 side ≤ 1.5 mΩ, 7-16 side
Working voltage	500 V rms
RF-leakage	≥ 110 dB @ DC to 6 GHz
Power handling	100 W @ 2.0 GHz and 85°C ambient temperature
Intermodulation (3 rd order)	≥ 166 dBc (2 x 43 dBm) @ 0.4 – 4.0 GHz

Mechanical Data

	NEX10 side	7-16 side
Mating cycles	≥ 100	min. 500
Recommended torque	1.5 Nm	25 to 30 Nm

Environmental Data

Temperature range	-55 °C to +125 °C operating temperature
Thermal shock	IEC 61169-1 9.4.4
Vibration	IEC 61169-1 9.3.3 and IEC 60068-2-64
Shock	IEC 61169-1 9.3.14
Degree of protection (mated pair)	IEC 60529, IP68 24h / 1m
RoHS	compliant

Tooling

N/A

Suitable Cables

N/A

Weight

61.4 g/pc

While the information has been carefully compiled to the best of our knowledge, nothing is intended as representation or warranty on our part and no statement herein shall be construed as recommendation to infringe existing patents. In the effort to improve our products, we reserve the right to make changes judged to be necessary.

For the installation of the electrotechnical equipment, particular electrotechnical expertise is required.



Draft	Date	Approved	Date	Rev.	Engineering change number	Name	Date
F. Fraunhofer	03.04.2017	Chr. Janßen	01.02.2021	b00	20-1927	B. Wollitzer	01.02.2021
Rosenberger Hochfrequenztechnik GmbH & Co. KG P.O.Box 1260 D-84526 Tittmoning Germany www.rosenberger.com					Tel. : +49 8684 18-0 Email : info@rosenberger.com		Page 2 / 2