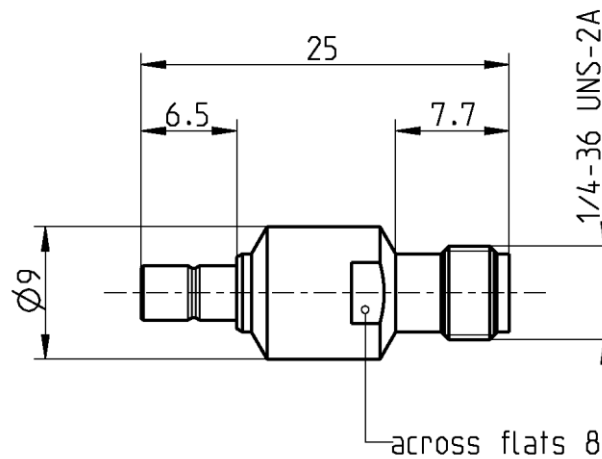


SMB  
SMA

Adaptor  
SMB Plug – SMA Jack

**59S132-K00L5**



All dimensions are in mm; tolerances according to ISO 2768 m-H

**Interface**

According to	SMB side:	IEC 60169-10, CECC 22130, MIL-PRF-39012
	SMA side:	IEC 60169-15; EN 122110; MIL-STD-348A, Fig. 310

**Documents**

N/A

**Material and plating**

**Connector parts**

Center contact  
Outer contact SMB side  
Outer contact SMA side  
Body  
Dielectric

**Material**

CuBe  
Brass  
CuBe or equiv.  
CuBe  
PTFE

**Plating**

AuroDur®, gold plated  
AuroDur®, gold plated  
AuroDur®, gold plated  
AuroDur®, gold plated

SMB  
SMA

Adaptor  
SMB Plug – SMA Jack

**59S132-K00L5**

**Electrical data**

Impedance 50 Ω  
 Frequency DC to 4 GHz  
 Return loss ≥ 35 dB, DC to 1 GHz  
 ≥ 27 dB, 1 to 4 GHz  
 Insertion loss ≤ 0.05 x √f(GHz) dB  
 Insulation resistance ≥ 1x10<sup>3</sup> MΩ  
 Center contact resistance ≤ 5 mΩ, SMB side ≤ 3 mΩ, SMA side  
 Outer contact resistance ≤ 2.5 mΩ, SMB side ≤ 2 mΩ, SMA side  
 Test voltage 750 V rms, 50 Hz, at sea level  
 Working voltage ≤ 250 V rms, 50 Hz, at sea level  
 Contact current 1.5 A DC typ.  
 RF-leakage ≥ 55 dB up to 1 GHz

**Mechanical data**

	SMB side	SMA side
Mating cycles	min. 500	min. 500
Coupling test torque	N/A	max. 1.7 Nm
Recommended torque	N/A	0.8 Nm to 1.1 Nm
Center contact captivation: axial	≥ 10 N	≥ 10 N
Engagement force	≤ 63 N	N/A
Disengagement force	8 N min. to 63 N max.	N/A

**Environmental data**

Temperature range -55°C to +155°C  
 Thermal shock MIL-STD-202, Meth. 107, Cond. B  
 Vibration MIL-STD-202, Meth. 204, Cond. B  
 Corrosion MIL-STD-202, Meth. 101, Cond. B  
 Moisture resistance MIL-STD-202, Meth. 106  
 RoHS compliant

**Tooling**

N/A

**Suitable cables**

N/A

**Weight**

Weight 5.1 g/pce

While the information has been carefully compiled to the best of our knowledge, nothing is intended as representation or warranty on our part and no statement herein shall be construed as recommendation to infringe existing patents. In the effort to improve our products, we reserve the right to make changes judged to be necessary.

For the installation of the electrotechnical equipment, particular electrotechnical expertise is required.



Draft	Date	Approved	Date	Rev.	Engineering change number	Name	Date
Inge Mühlauer	06.07.07	Chr. Janßen	09.02.21	c00	20-1927	S. Huber-Siegl	09.02.21

Rosenberger Hochfrequenztechnik GmbH & Co. KG  
 P.O.Box 1260 D-84526 Tittmoning Germany  
[www.rosenberger.com](http://www.rosenberger.com)

Tel. : +49 8684 18-0  
 Email : [info@rosenberger.com](mailto:info@rosenberger.com)

Page  
2 / 2