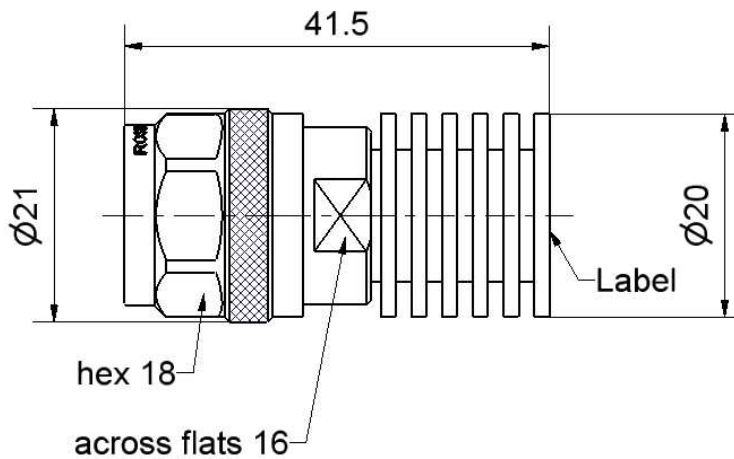


N 50 Ω

Termination
Plug 5 Watt

53S17R-005N3



All dimensions are in mm; tolerances according to ISO 2768 m-H

Interface

According to IEC 61169-16

Documents

N/A

Material and plating

Connector parts

Center contact	Brass
Outer contact	Brass
Coupling nut	Brass
Heatsink	Aluminum
Dielectric	PTFE
Substrate	AlN

Plating

Gold, min. 1.27 μm, over nickel
Flash white bronze over silver(e.g. Optargen®)
White bronze(e.g. Optalloy®)
Black anodized

Technical Data Sheet**Rosenberger**N 50 Ω Termination
Plug 5 Watt**53S17R-005N3****Electrical data**

Impedance	50 Ω
Frequency	DC to 10 GHz
Return loss	≥ 26.4 dB, DC to 2 GHz ≥ 21.2 dB, 2 GHz to 5 GHz ≥ 14.0 dB, 5 GHz to 10 GHz
Power handling (at 25 °C, sea level)	≤ 5 W, derated linearity by 0.05 W/K

Mechanical data

Mating cycles	≥ 500
Coupling nut retention	≥ 450 N
Center contact captivation	≥ 28 N
Coupling test torque	≤ 1.7 Nm
Recommended torque	0.7 Nm to 1.1 Nm

Environmental data

Temperature range	-65 °C to +125 °C
RoHS	compliant

Tooling

N/A

Suitable cables

N/A

Packing

Standard	1 pce in bag
Weight	45 g/pce

While the information has been carefully compiled to the best of our knowledge, nothing is intended as representation or warranty on our part and no statement herein shall be construed as recommendation to infringe existing patents. In the effort to improve our products, we reserve the right to make changes judged to be necessary.

Draft	Date	Approved	Date	Rev.	Engineering change number	Name	Date
Kerstin Herzog	21.07.05	Markus Müller	20.07.18	b00	18-1027	Marion Striegler	20.07.18
Rosenberger Hochfrequenztechnik GmbH & Co. KG P.O.Box 1260 D-84526 Tittmoning Germany www.rosenberger.de						Tel. : +49 8684 18-0 Email : info@rosenberger.de	
							Page 2 / 2