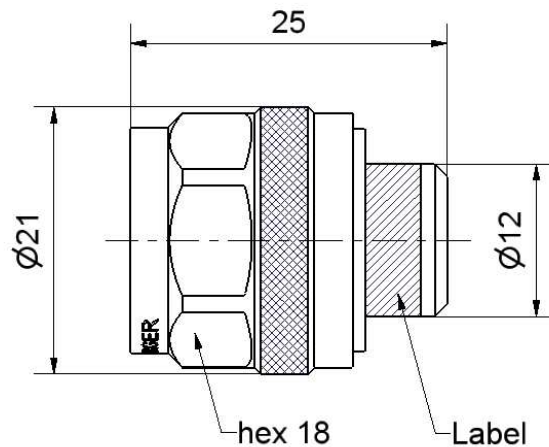
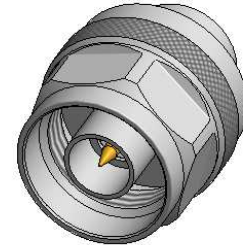


N 50 Ω

Termination
Plug 1 Watt

53S15R-001N3



All dimensions are in mm; tolerances according to ISO 2768 m-H

Interface

According to IEC 61169-16

Documents

N/A

Material and plating

Connector parts

Center contact
Outer contact
Body
Coupling nut
Dielectric
Gasket
Substrate

Material

Brass
Brass
Brass
Brass
PTFE
Silicone
Al₂O₃

Plating

Gold, min. 1.27 μm, over nickel
White bronze(e.g. Optalloy®)
White bronze(e.g. Optalloy®)
White bronze(e.g. Optalloy®)

Dieses Dokument ist urheberrechtlich geschützt • This document is protected by copyright • Rosenberger Hochfrequenztechnik GmbH & Co. KG

RF_35/09;14/6.2

Technical Data Sheet

Rosenberger

N 50 Ω

Termination
Plug 1 Watt

53S15R-001N3

Electrical data

Impedance 50 Ω
Frequency range DC to 8 GHz
Return loss ≥ 33 dB, DC to 1 GHz
 ≥ 25 dB, 1 GHz to 6 GHz
 ≥ 22 dB, 6 GHz to 8 GHz
Power handling ≤ 1.0 W at 25°C

Mechanical data

Mating cycles ≥ 500
Maximum torque 1.70 Nm
Recommended torque 1.10 Nm
Gauge 5.28 mm to 5.84 mm

Environmental data

Temperature range - 55 °C to +155 °C
Degree of protection (mated pair) IEC 60529, IP65
RoHS compliant

Packing

Weight 32 g/pce

While the information has been carefully compiled to the best of our knowledge, nothing is intended as representation or warranty on our part and no statement herein shall be construed as recommendation to infringe existing patents. In the effort to improve our products, we reserve the right to make changes judged to be necessary.

Draft	Date	Approved	Date	Rev.	Engineering change number	Name	Date
Kerstin Herzog	01.08.05	Markus Müller	16.10.19	f00	19-1961	Marion Striegler	16.10.19

Rosenberger Hochfrequenztechnik GmbH & Co. KG P.O.Box 1260 D-84526 Tittmoning Germany www.rosenberger.de	Tel. : +49 8684 18-0 Email : info@rosenberger.de	Page 2 / 2
--	--	---------------