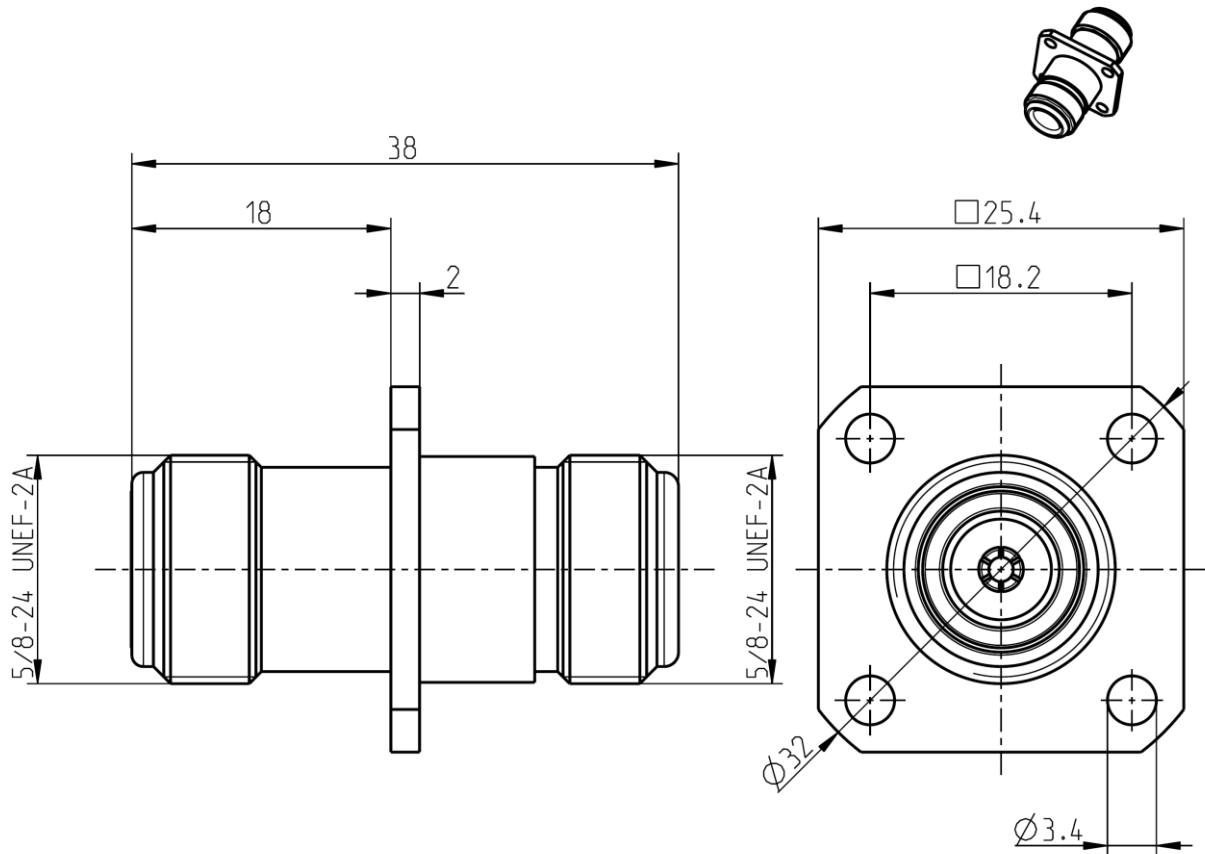


N 50 Ω

Adaptor
N 50 Ω Jack – Jack

53K401-K00N5



All dimensions are in mm; tolerances according to ISO 2768 m-H

Interface

According to

IEC 61169-16, MIL-PRF-39012, CECC 22210

Documents

Panel piercing

B 12

Material and plating

Connector parts

- Center contact
- Outer contact
- Body
- Dielectric

Material

- Spring bronze
- Brass
- Brass
- PTFE

Plating

- AuroDur®, gold plated
- Flash white bronze over silver(e.g. Optargen®)
- Flash white bronze over silver(e.g. Optargen®)

N 50 Ω

Adaptor
N 50 Ω Jack – Jack

53K401-K00N5

Electrical data

Impedance 50 Ω
 Frequency DC to 11 GHz
 Return loss ≥ 32 dB, DC to 2 GHz
 ≥ 25 dB, 2 to 4 GHz
 ≥ 22 dB, 4 to 9 GHz
 Insertion loss ≤ 0.05 dB, DC to 9 GHz
 Insulation resistance ≥ 5 x10³ MΩ
 Center contact resistance ≤ 1 mΩ
 Outer contact resistance ≤ 0.25 mΩ
 Working voltage 500 V rms
 Power handling (at 20 °C, sea level, VSWR 1.0) 1000 W @ 1 GHz
 700 W @ 2 GHz
 RF-leakage ≥ 128 dB up to 1 GHz
 Intermodulation (3rd order) ≤ -115 dBm @ 2 x 20 W

Mechanical data

Mating cycles min. 500
 Center contact captivation: axial ≥ 28 N
 Coupling test torque max. 1.7 Nm
 Recommended torque 0.7 Nm to 1.1 Nm

Environmental data

Temperature range -45°C to +85°C
 Thermal shock MIL-STD-202, Meth. 107, Cond. B
 Corrosion MIL-STD-202, Meth. 101, Cond. B
 Vibration MIL-STD-202, Meth. 204, Cond. B
 Shock MIL-STD-202, Meth. 213, Cond. I
 Moisture resistance MIL-STD-202, Meth. 106
 Degree of protection (mated pair) IEC 60529, IP67
 RoHS compliant

Tooling

N/A

Suitable cables

N/A

Weight

Weight 46.6 g/pce

While the information has been carefully compiled to the best of our knowledge, nothing is intended as representation or warranty on our part and no statement herein shall be construed as recommendation to infringe existing patents. In the effort to improve our products, we reserve the right to make changes judged to be necessary.

For the installation of the electrotechnical equipment, particular electrotechnical expertise is required.



Draft	Date	Approved	Date	Rev.	Engineering change number	Name	Date
Inge Mühlauer	22.06.04	Chr. Janßen	19.01.21	i00	20-1927	S. Huber-Siegl	19.01.21
Rosenberger Hochfrequenztechnik GmbH & Co. KG P.O.Box 1260 D-84526 Tittmoning Germany www.rosenberger.com				Tel. : +49 8684 18-0 Email : info@rosenberger.com			Page 2 / 2