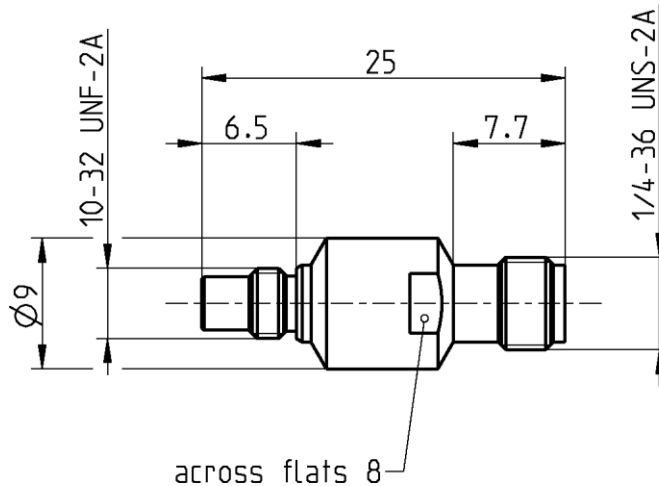


SMC

Adaptor  
SMC Plug – SMA Jack

**39S132-K00L5**



All dimensions are in mm; tolerances according to ISO 2768 m-H

**Interface**

According to	SMC side:	IEC 60169-9, CECC 22140, US MIL-C-39012
	SMA side:	IEC 60169-15; EN 122110; MIL-STD-348A, Fig. 310

**Documents**

N/A

**Material and plating**

**Connector parts**

Center contact  
Outer contact SMC side  
Outer contact SMA side  
Dielectric

**Material**

CuBe  
Brass  
CuBe or equiv.  
PTFE

**Plating**

AuroDur®, gold plated  
AuroDur®, gold plated  
AuroDur®, gold plated

Dieses Dokument ist urheberrechtlich geschützt • This document is protected by copyright • Rosenberger Hochfrequenztechnik GmbH & Co. KG

RF\_35/09.14/6.2

SMC

Adaptor  
SMC Plug – SMA Jack

**39S132-K00L5**

**Electrical data**

Impedance	50 Ω
Frequency	DC to 6 GHz
Return loss	≥ 35 dB, DC to 1 GHz ≥ 30 dB, 1 to 3 GHz ≥ 20 dB, 3 to 6 GHz
Insertion loss	≤ 0.05 x √f(GHz) dB
Insulation resistance	≥ 1x10 <sup>3</sup> MΩ
Center contact resistance	≤ 5 mΩ, SMC side      ≤ 3 mΩ, SMA side
Outer contact resistance	≤ 2.5 mΩ, SMC side    ≤ 2 mΩ, SMA side
Test voltage	750 V rms, 50 Hz, at sea level
Working voltage	≤ 250 V rms, 50 Hz, at sea level
RF-leakage	≥ 90 dB up to 1 GHz

**Mechanical data**

Mating cycles	SMC side	SMA side
	min. 500	min. 500
Coupling test torque	max. 0.71 Nm	max. 1.7 Nm
Recommended torque	0.25 Nm to 0.35 Nm	0.8 Nm to 1.1 Nm
Center contact captivation: axial	≥ 10 N	≥ 10 N

**Environmental data**

Temperature range	-55°C to +155°C
Thermal shock	MIL-STD-202, Meth. 107, Cond. B
Vibration	MIL-STD-202, Meth. 204, Cond. D
Moisture resistance	MIL-STD-202, Meth. 106
Corrosion	MIL-STD-202, Meth. 101, Cond B
RoHS	compliant

**Tooling**

N/A

**Suitable cables**

N/A

**Weight**

Weight 5.2 g/pce

While the information has been carefully compiled to the best of our knowledge, nothing is intended as representation or warranty on our part and no statement herein shall be construed as recommendation to infringe existing patents. In the effort to improve our products, we reserve the right to make changes judged to be necessary.

For the installation of the electrotechnical equipment, particular electrotechnical expertise is required.



Dieses Dokument ist urheberrechtlich geschützt • This document is protected by copyright • Rosenberger Hochfrequenztechnik GmbH & Co. KG

RF\_35/09.14/6.2

Draft	Date	Approved	Date	Rev.	Engineering change number	Name	Date
Inge Mühlauer	21.12.04	Chr. Janßen	23.11.20	f00	20-1927	S. Huber-Siegl	23.11.20
Rosenberger Hochfrequenztechnik GmbH & Co. KG P.O.Box 1260 D-84526 Tittmoning Germany <a href="http://www.rosenberger.de">www.rosenberger.de</a>						Tel. : +49 8684 18-0 Email : <a href="mailto:info@rosenberger.de">info@rosenberger.de</a>	
						Page 2 / 2	