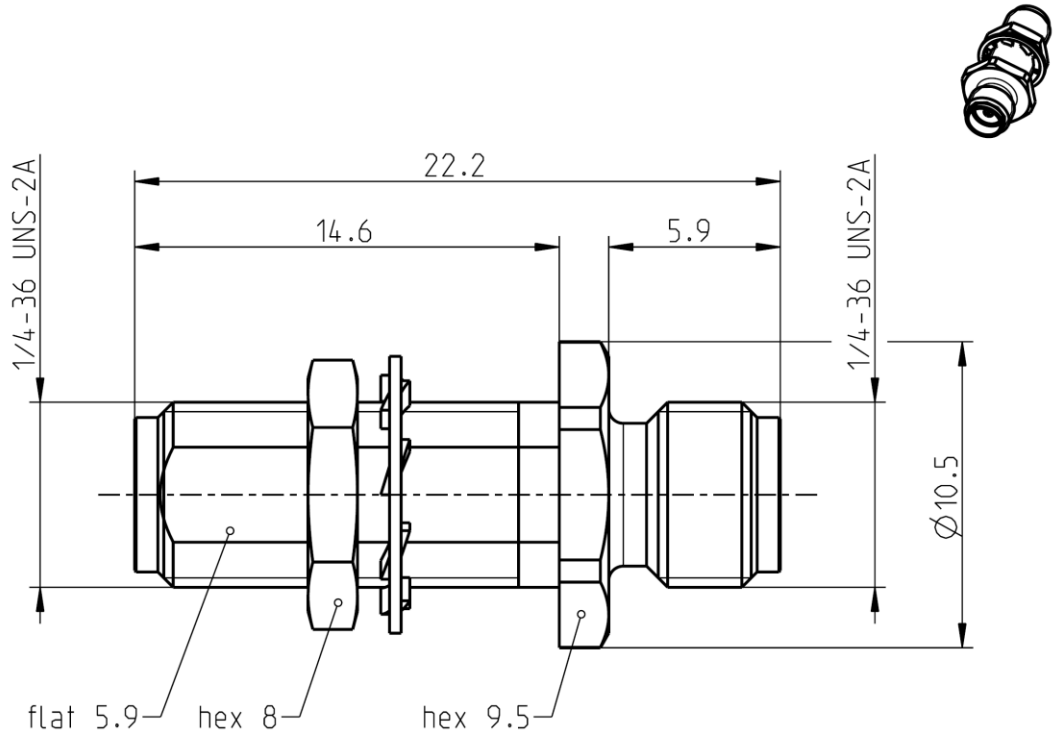


SMA

Adaptor  
Jack - Jack

**32K601-K00L5**



All dimensions are in mm; tolerances according to ISO 2768 m-H

**Interface**

According to IEC 60169-15, EN 122110, MIL-STD-348A, Fig. 310

**Documents**

Panel piercing B 56

**Material and plating**

**Connector parts**

Center contact  
Outer contact  
Dielectric

**Material**

CuBe  
CuBe or equiv.  
PTFE

**Plating**

AuroDur®, gold plated  
AuroDur®, gold plated

Dieses Dokument ist urheberrechtlich geschützt • This document is protected by copyright • Rosenberger Hochfrequenztechnik GmbH & Co. KG

RF\_35/09.14/6.2

# Technical Data Sheet

# Rosenberger

SMA

Adaptor  
Jack - Jack

**32K601-K00L5**

## Electrical data

Impedance	50 Ω
Frequency	DC to 18 GHz
Return loss	≥ 35 dB, DC to 5 GHz ≥ 20 dB, 5 GHz to 18 GHz
Insertion loss	≤ 0.03 x √f(GHz) dB
Insulation resistance	≥ 5 x10 <sup>3</sup> MΩ
Center contact resistance	≤ 3 mΩ
Outer contact resistance	≤ 2 mΩ
Test voltage	1000 V rms
Working voltage	480 V rms
Power handling (at 20 °C, sea level, VSWR 1.0)	≤ 200 W @ 2 GHz
RF-leakage	≥ 100 dB up to 1 GHz

## Mechanical data

Mating cycles	≥ 500
Center contact captivation: axial	≥ 27 N
radial	≥ 3 Ncm
Coupling test torque	≤ 1.7 Nm
Recommended torque	0.8 Nm to 1.1 Nm

- Panel thickness max. 6.4 mm -

## Environmental data

Temperature range	-65 °C to +165 °C
Thermal shock	MIL-STD-202, Method 107, Condition B
Corrosion	MIL-STD-202, Method 101, Condition B
Vibration	MIL-STD-202, Method 204, Condition D
Shock	MIL-STD-202, Method 213, Condition I
Moisture resistance	MIL-STD-202, Method 106
RoHS	compliant

## Tooling

N/A

## Suitable cables

N/A

## Weight

Weight 3.4 g/pce

While the information has been carefully compiled to the best of our knowledge, nothing is intended as representation or warranty on our part and no statement herein shall be construed as recommendation to infringe existing patents. In the effort to improve our products, we reserve the right to make changes judged to be necessary.

For the installation of the electrotechnical equipment, particular electrotechnical expertise is required.



Draft	Date	Approved	Date	Rev.	Engineering change number	Name	Date
F. Fraunhofer	27.03.14	M. Schmid	05.06.2024	e00	24-0004	S. Hofmeister	05.06.2024
Rosenberger Hochfrequenztechnik GmbH & Co. KG P.O.Box 1260 D-84526 Tittmoning Germany <a href="http://www.rosenberger.de">www.rosenberger.de</a>						Tel. : +49 8684 18-0 Email : <a href="mailto:info@rosenberger.de">info@rosenberger.de</a>	
							Page
							2 / 2