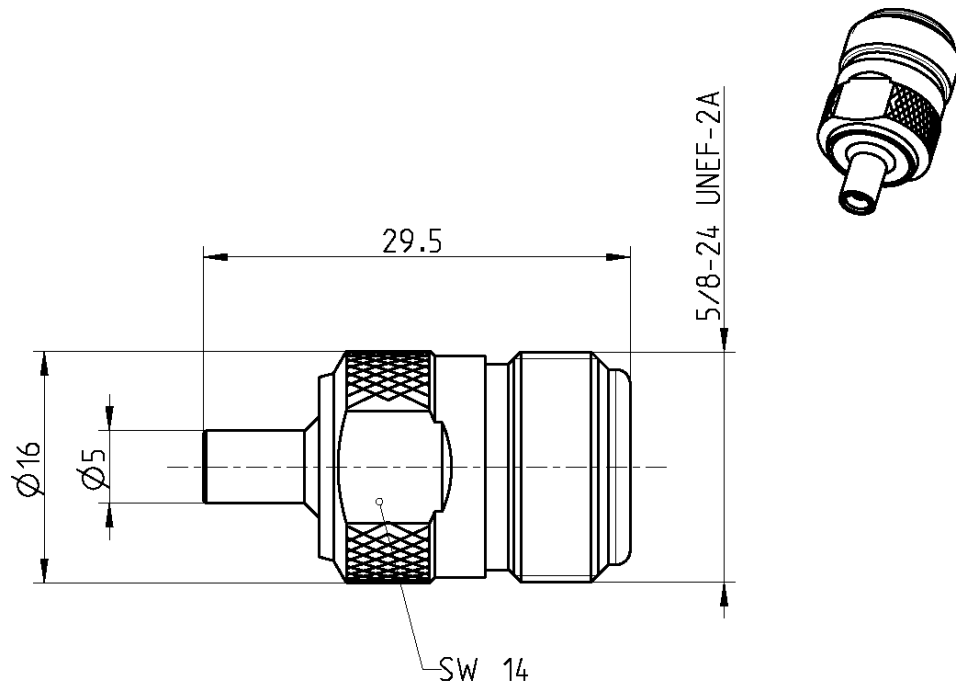


MCX

Adaptor  
MCX Jack – N 50 Ω Jack

**29K153-K00Z5**



All dimensions are in mm; tolerances according to ISO 2768 m-H

**Interface**

According to	MCX side:	CECC 22220, IEC 61169-36
	N side:	IEC 61169-16, MIL-PRF-39012, CECC 22210

**Documents**

N/A

**Material and plating**

**Connector parts**

Center contact  
Outer contact MCX side  
Outer contact N side  
Dielectric

**Material**

CuBe  
Brass  
Brass  
PTFE

**Plating**

AuroDur®, gold plated  
AuroDur®, gold plated  
Nickel, 2.5-5 µm

MCX

Adaptor  
MCX Jack – N 50 Ω Jack

**29K153-K00Z5**

**Electrical data**

Impedance 50 Ω  
 Frequency DC to 6 GHz  
 Return loss ≥ 20 dB, DC to 1 GHz  
 ≥ 17 dB, 1 to 3 GHz  
 Insertion loss ≤ 0.05 x √f(GHz) dB, DC to 3 GHz  
 Insulation resistance ≥ 1 GΩ  
 Center contact resistance ≤ 5.0 mΩ, MCX side; ≤ 1 mΩ, N side  
 Outer contact resistance ≤ 2.5 mΩ, MCX side; ≤ 0.25 mΩ, N side  
 Test voltage 750 V rms  
 Working voltage 335 V rms  
 Contact Current 1.5A DC max.

**Mechanical data**

	MCX side	N side
Mating cycles	≥ 500	min. 500
Center contact captivation: axial	≥ 28 N	≥ 28 N
Engagement force	≤ 25 N	N/A
Disengagement force	8 N min. to 20 N max.	N/A
Coupling test torque	N/A	max. 1.7 Nm
Recommended torque	N/A	0.7 Nm to 1.1 Nm

**Environmental data**

Temperature range -55°C to +155°C  
 Thermal shock CECC 22 220, Chapter 4.6.7  
 Vibration CECC 22 220, Chapter 4.6.3  
 Corrosion CECC 22 220, Chapter 4.6.10  
 Moisture resistance CECC 22 220, Chapter 4.6.6  
 RoHS compliant

**Tooling**

N/A

**Suitable cables**

N/A

**Weight**

Weight 26.1 g/pce

While the information has been carefully compiled to the best of our knowledge, nothing is intended as representation or warranty on our part and no statement herein shall be construed as recommendation to infringe existing patents. In the effort to improve our products, we reserve the right to make changes judged to be necessary.

For the installation of the electrotechnical equipment, particular electrotechnical expertise is required.



Dieses Dokument ist urheberrechtlich geschützt • This document is protected by copyright • Rosenberger Hochfrequenztechnik GmbH & Co. KG

RF\_35/09.14/6.2

Draft	Date	Approved	Date	Rev.	Engineering change number	Name	Date
Inge Mühlauer	30.08.04	Chr. Janßen	03.11.20	f00	20-1927	S. Huber-Siegl	03.11.20

Rosenberger Hochfrequenztechnik GmbH & Co. KG P.O.Box 1260 D-84526 Tittmoning Germany <a href="http://www.rosenberger.de">www.rosenberger.de</a>				Tel. : +49 8684 18-0 Email : <a href="mailto:info@rosenberger.de">info@rosenberger.de</a>		Page 2 / 2
--------------------------------------------------------------------------------------------------------------------------------------------------------	--	--	--	----------------------------------------------------------------------------------------------	--	---------------