

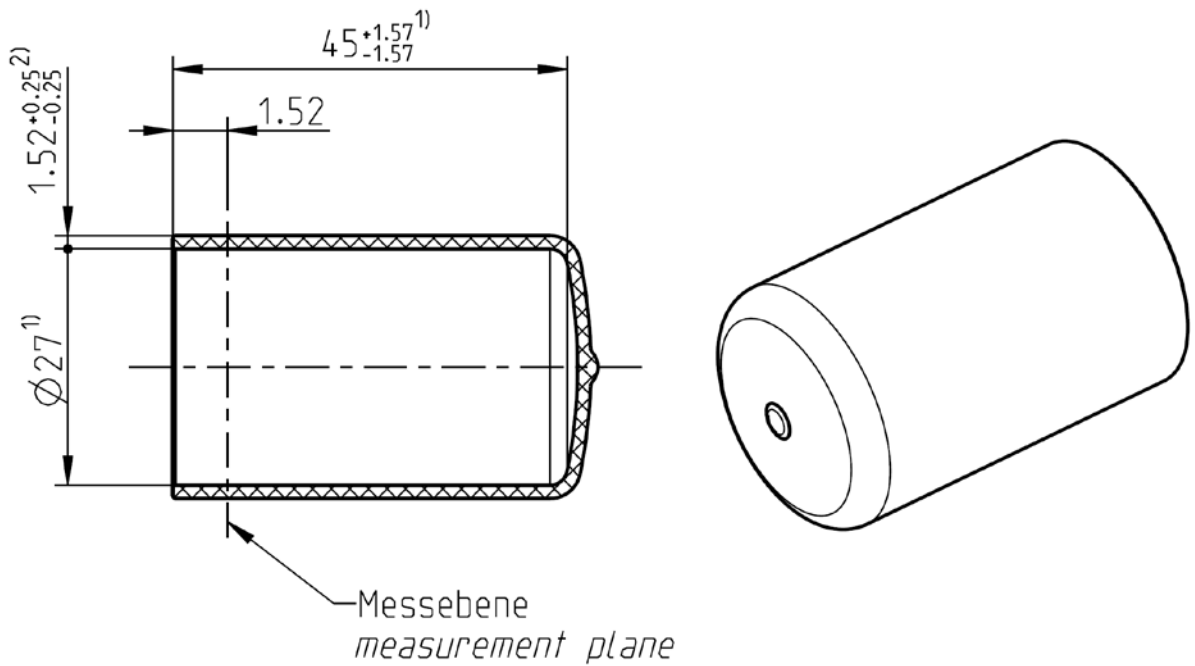
# Technical Data Sheet

# Rosenberger

HPK

PROTECTION CAP

170-101-00000



- 1) Dimensions can be used for incoming inspection
  - 2) Dimension measured on measurement plane
- All dimensions are in mm; tolerances according to ISO 2768 m-H

### Material and plating

#### Parts

Protection Cap

#### Material

PVC

#### Color

black Shore A 65

### Packing

Standard

60 pcs in Box

Weight

9.73 g/pce

While the information has been carefully compiled to the best of our knowledge, nothing is intended as representation or warranty on our part and no statement herein shall be construed as recommendation to infringe existing patents. In the effort to improve our products, we reserve the right to make changes judged to be necessary.

Draft	Date	Approved	Date	Rev.	Engineering change number	Name	Date
H. Mühlfellner	12.03.13	A. Koleber	19.01.15	a00	14-s404	L. Schneider	19.01.15
Rosenberger Hochfrequenztechnik GmbH & Co. KG P.O.Box 1260 D-84526 Tittmoning Germany <a href="http://www.rosenberger.de">www.rosenberger.de</a>						Tel. : +49 8684 18-0 Email : <a href="mailto:info@rosenberger.de">info@rosenberger.de</a>	
							Page 1 / 1