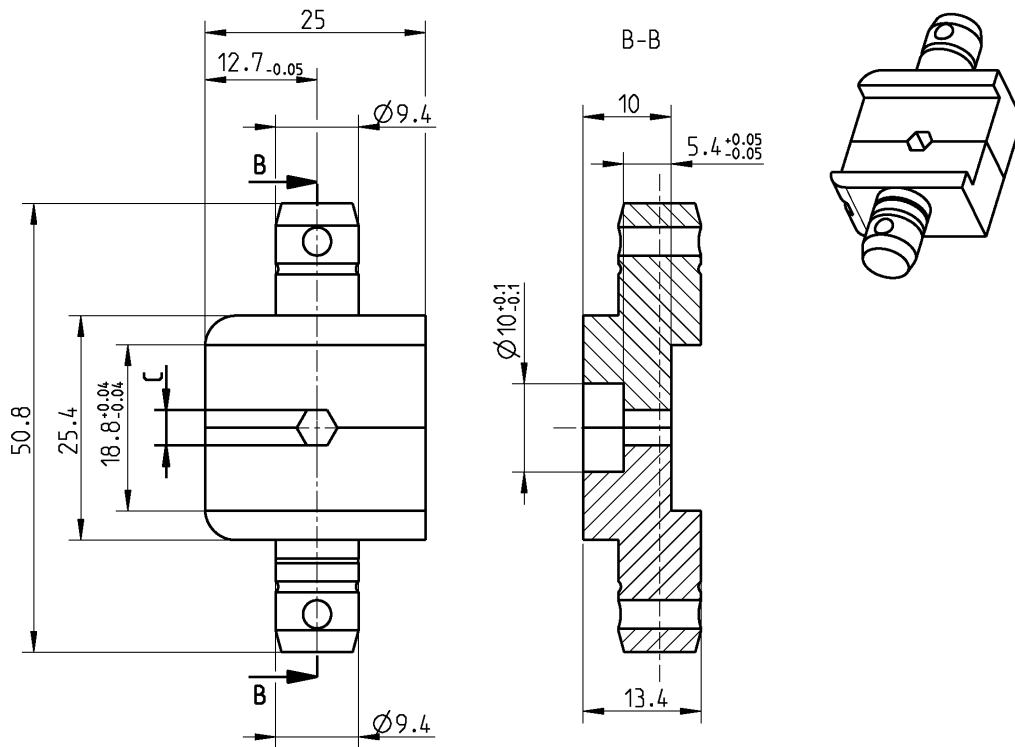


CRIMP INSERT

11W15D-1XX



All dimensions are in mm; tolerances according to ISO 2768 m-H

Order-No.	Cable type	C-0.05	Weight (g/pce)
11W15D-102	RG 316 /U, RG 174 A/U, RG 188 A/U, RG 179 B/U, RG 187 A/U	3.30-0.03	61.75
11W15D-104	RG 180 B/U, 2 YCY 0.4/2.5, RG 195 A/U, TZC 750 24	4.30	61.47
11W15D-103	RG 58 C/U,	5.35	61.10

Tooling

Crimping tool 11W150-000

Packing

Standard 1 pce in bag

While the information has been carefully compiled to the best of our knowledge, nothing is intended as representation or warranty on our part and no statement herein shall be construed as recommendation to infringe existing patents. In the effort to improve our products, we reserve the right to make changes judged to be necessary.

Draft	Date	Approved	Date	Rev.	Engineering change number	Name	Date
Mühlfellner	30/09/05	Lankes	24/04/07	100	05-0538	Mühlfellner	30/09/05

Rosenberger Hochfrequenztechnik GmbH & Co. KG
 P.O.Box 1260 D-84526 Tittmoning Germany
www.rosenberger.de

Tel.: +49 8684 18-0
 Fax: +49 8684 18-499
 email: info@rosenberger.de

Page
 1 / 1