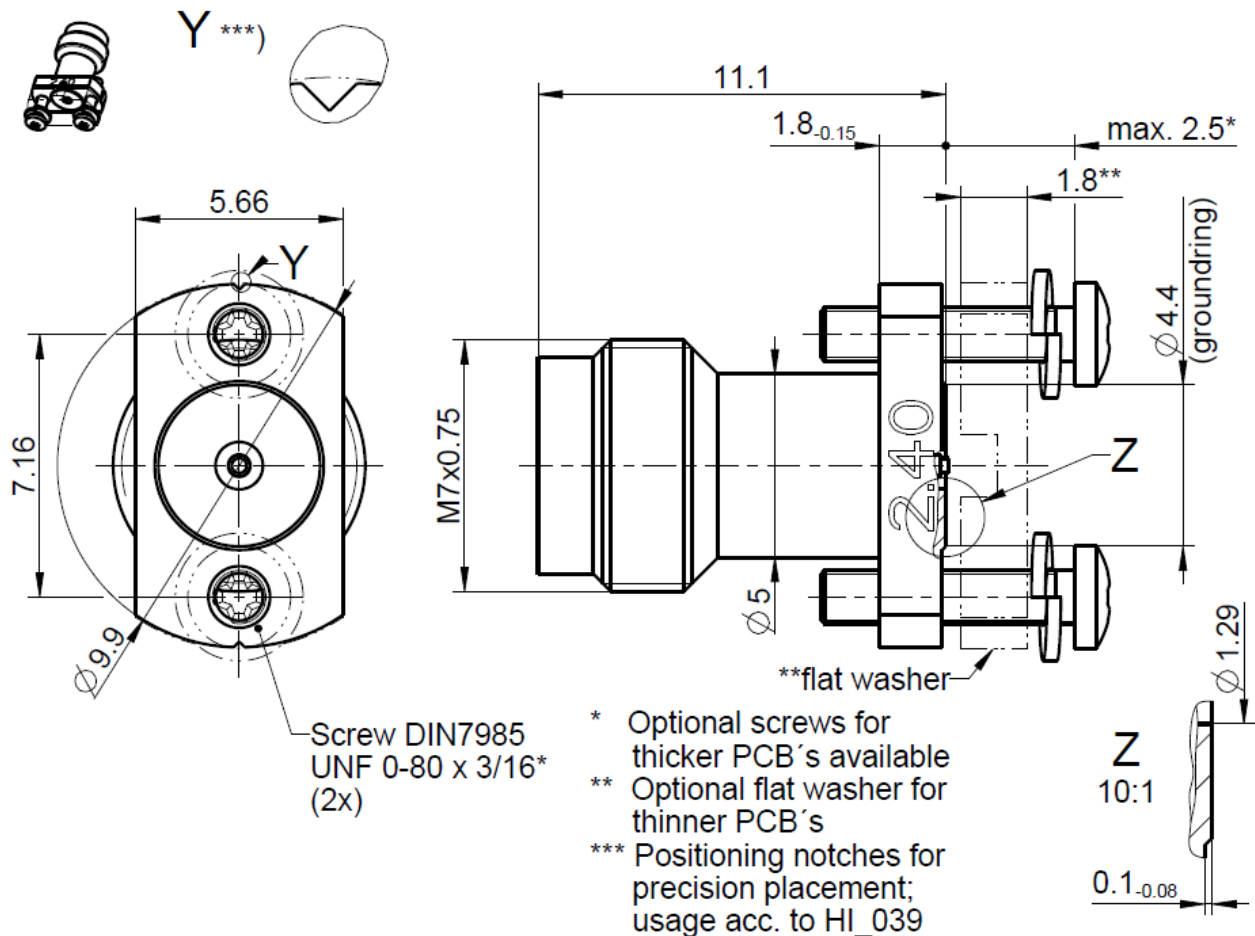


RPC-2.40  
Straight Jack PCB  
Economic Solderless  
Connector

**09K721-40MS3**



All dimensions are in mm; tolerances according to ISO 2768 m-H

**Interface**

According to IEC 61169-40  
Mechanically compatible with RPC-1.85

**Documents**

PCB Layout B 594

**Material and plating**

**Connector parts**

Center contact  
Outer contact  
Dielectric

**Material**

CuBe  
Stainless steel  
PTFE

**Plating**

Gold, min. 1.27 µm, over chemical nickel  
Passivated

# Technical Data Sheet

# Rosenberger

RPC-2.40  
Straight Jack PCB  
Economic Solderless  
Connector

**09K721-40MS3**

## Electrical data

Impedance	50 Ω
Frequency	DC to 50 GHz
Return loss	≥ 21 dB, DC to 26.5 GHz ≥ 15 dB, 26.5 GHz to 40 GHz ≥ 14 dB, 40 GHz to 50 GHz
Insertion loss	≤ 0.05 x √f(GHz) dB
Insulation resistance	≥ 5 GΩ
Test voltage	500 V rms
Working voltage	150 V rms

- Return Loss in application depends decisive on PCB layout -

## Mechanical data

Mating cycles Interface	≥ 500
Mating cycles PCB side	≥ 300 typical (at 20°C, sea level, non-permanent duration)
Mating force PCB side	≤ 20 N
Center contact captivation	≥ 27 N
Coupling test torque RPC-2.40	1.65 Nm
Typically torque for the screws	0.15 Nm
Recommended torque RPC-2.40	0.80 Nm to 1.10 Nm

## Environmental data

Storage temperature range	-40°C to +85°C
Operating temperature range	-0°C to +85°C
Corrosion	IEC 61169-1, Subclause 9.4.6
Vibration	IEC 61169-1, Subclause 9.3.3
Shock	IEC 61169-1, Subclause 9.3.14
Moisture resistance	IEC 61169-1, Subclause 9.4.3
RoHS	compliant

## Accessories

Available Screws DIN 7985-H-A2 UNF 0-80 (cylinder head screw) for different PCB thickness.	
3/16" length = Standard (already included with the connector)	DIN7985-H-A2 UNF 0-80x3/16
1/4" length = Optional (PCB thickness min. 1.2 mm to max. 4.2 mm)	DIN7985-H-A2 UNF 0-80x1/4
5/16" length = Optional (PCB thickness min. 2.8 mm to max. 5.7 mm)	DIN7985-H-A2 UNF 0-80x5/16
3/8" length = Optional (PCB thickness min. 4.4 mm to max. 7.4 mm)	DIN7985-H-A2 UNF 0-80x3/8
7/16" length = Optional (PCB thickness min. 6.0 mm to max. 8.9 mm)	DIN7985-H-A2 UNF 0-80x7/16
Flat Washer = Optional 08K723-40M/60L (recommended screw 1/4" for PCB size min. 0 mm to max. 2.4mm)	

## Tooling

N/A

## Weight

2.3 g/pce

While the information has been carefully compiled to the best of our knowledge, nothing is intended as representation or warranty on our part and no statement herein shall be construed as recommendation to infringe existing patents. In the effort to improve our products, we reserve the right to make changes judged to be necessary.

Draft	Date	Approved	Date	Rev.	Engineering change number	Name	Date
Martin Moder	21.01.16	Herbert Babinger	11.05.23	f00	23-0653	S. Barth	11.05.23

Rosenberger Hochfrequenztechnik GmbH & Co. KG  
P.O.Box 1260 D-84526 Tittmoning Germany  
[www.rosenberger.de](http://www.rosenberger.de)

Tel. : +49 8684 18-0  
Email : [info@rosenberger.de](mailto:info@rosenberger.de)

Page  
2 / 2