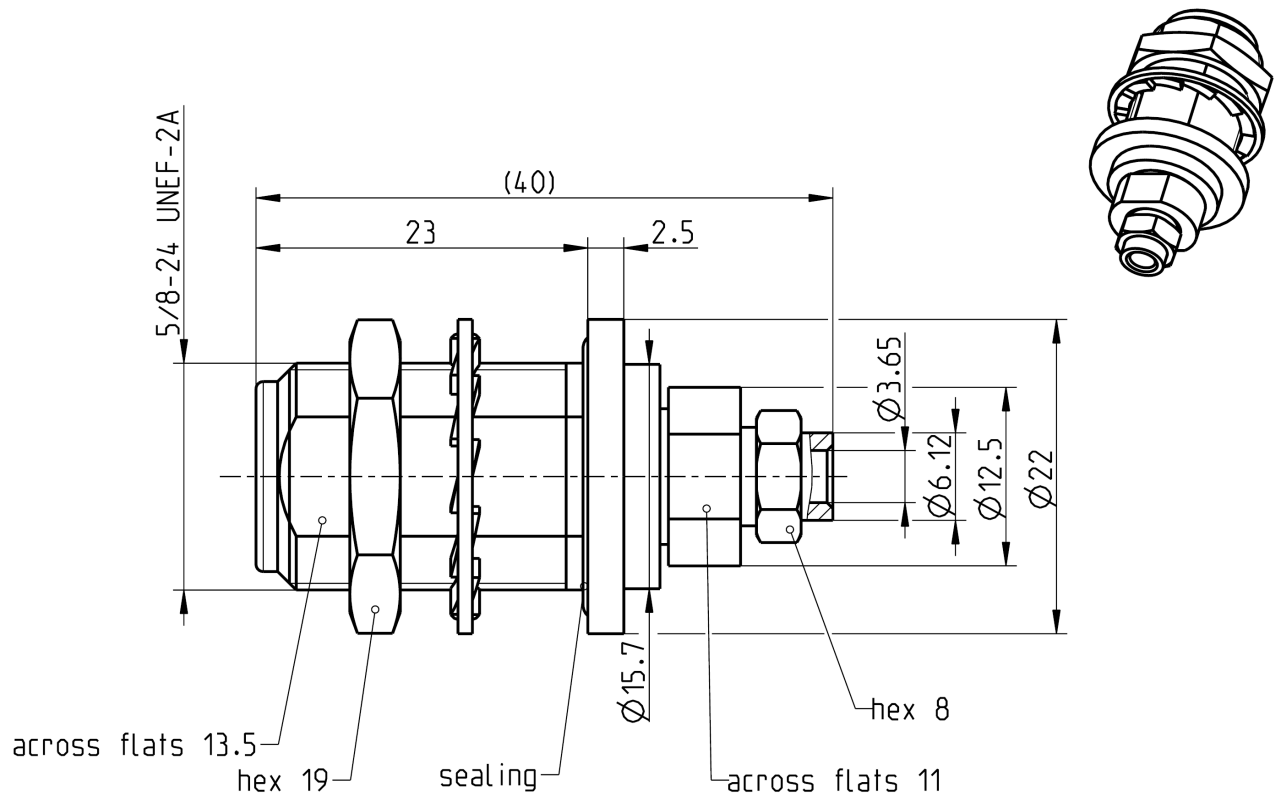


RPC-N  
50 Ω

Bulkhead jack

**05K521-272S3**



All dimensions are in mm; tolerances according to ISO 2768 m-H

**Interface**

According to IEC 61169-16; MIL-STD 348A/402

**Documents**

Assembly instruction 03 A  
Panel piercing B 13

**Material and plating**

**Connector parts**

Center contact  
Outer contact  
Dielectric  
Gasket  
Hexagon nut  
Toothed lock washer  
Solder sleeve

**Material**

CuBe  
Stainless steel  
PPE  
NBR  
Brass  
Stainless steel  
Brass

**Plating**

Gold, min. 1.27  $\mu\text{m}$ , over chemical nickel  
Passivated  
  
White bronze(e.g. Optalloy®)  
Passivated  
Gold, 0.1  $\mu\text{m}$  min.

Dieses Dokument ist urheberrechtlich geschützt • This document is protected by copyright • Rosenberger Hochfrequenztechnik GmbH & Co. KG

RF\_35/09;14/6.2

# Technical Data Sheet

# Rosenberger

RPC-N  
50 Ω

Bulkhead jack

05K521-272S3

## Electrical data

Impedance	50 Ω
Frequency	DC to 18 GHz
Return loss	≥ 25 dB, DC to 18 GHz
Insertion loss	≤ 0.03 x $\sqrt{f(\text{GHz})}$ dB
Insulation resistance	≥ 5 GΩ
Test voltage (at sea level)	1000 V rms
Working voltage (at sea level)	335 V rms
RF-leakage	≥ 90 dB up to 1 GHz

- Limitations are possible due to the used cable type -

## Mechanical data

Mating cycles	≥ 500
Center contact captivation	≥ 28 N
Coupling test torque	1.70 Nm
Recommended torque	0.70 Nm to 1.10 Nm

## Environmental data

Temperature range	-40°C to +85°C
Thermal shock	IEC 61169-1, Subclause 9.4.4
Corrosion	IEC 61169-1, Subclause 9.4.6
Vibration	IEC 61169-1, Subclause 9.3.3
Shock	IEC 61169-1, Subclause 9.3.14
Moisture resistance	IEC 61169-1, Subclause 9.4.3
RoHS	compliant

## Tooling

N/A

## Suitable cables

UT 141 / RTK-FS 141 / RTK-Flex 402

## Weight

46.8 g/pce

While the information has been carefully compiled to the best of our knowledge, nothing is intended as representation or warranty on our part and no statement herein shall be construed as recommendation to infringe existing patents. In the effort to improve our products, we reserve the right to make changes judged to be necessary.

Draft	Date	Approved	Date	Rev.	Engineering change number	Name	Date
H. Babinger	05.10.05	F. Reiner	17.10.19	d00	19-1952	A. Youmsi	17.10.19

Rosenberger Hochfrequenztechnik GmbH & Co. KG  
P.O.Box 1260 D-84526 Tittmoning Germany  
[www.rosenberger.de](http://www.rosenberger.de)

Tel. : +49 8684 18-0  
Email : [info@rosenberger.de](mailto:info@rosenberger.de)

Page  
2 / 2