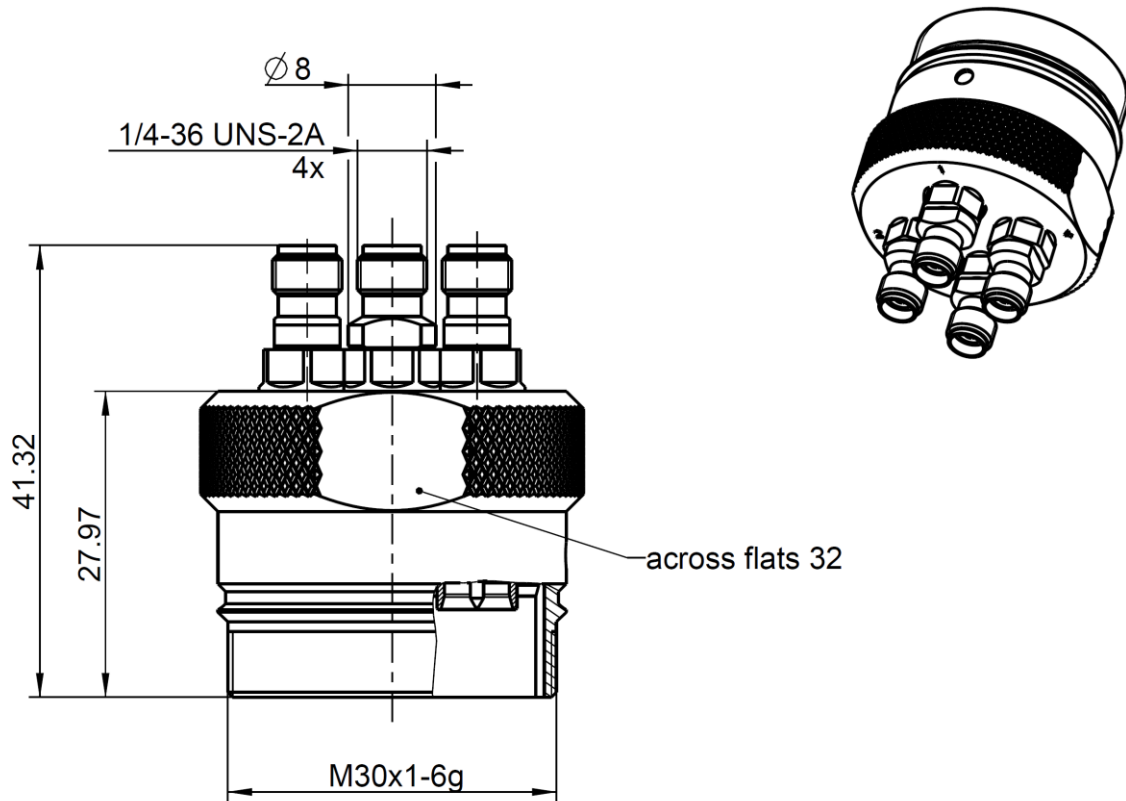


ADAPTOR
RPC-3.50 female – MQ4 female

03K1MQ4-K01S3



All dimensions are in mm; tolerances according to ISO 2768 m-H

Interface

RPC-3.50 according to	IEC 60169-23
RPC-3.50 mechanically compatible with	RPC-2.92 and SMA
MQ4 according to	IEC 63138

Documents

N/A

Material and plating

Connector parts

Center contact
Outer contact
Body
Dielectric 1 (RPC-3.50 side)
Dielectric 2 (MQ4 side)

Material

CuBe
Stainless steel
Brass
COP
PTFE

Plating

Gold, min. 1.27 µm, over chemical nickel
Passivated
White bronze(e.g. Optalloy®)

Dieses Dokument ist urheberrechtlich geschützt • This document is protected by copyright • Rosenberger Hochfrequenztechnik GmbH & Co. KG

RFB00035/12.20/6.4

Electrical data

Impedance	50 Ω
Frequency	DC to 6 GHz
Return loss	≥ 36 dB, DC to 2 GHz ≥ 34 dB, 2 GHz to 4 GHz ≥ 28 dB, 4 GHz to 6 GHz
Insertion loss	≤ 0.05 x √f(GHz)dB
Insulation resistance	≥ 5 GΩ
Proof voltage (at sea level)	1000 V rms
Working voltage (at sea level)	335 V rms
RF-leakage	≥ 100 dB up to 1 GHz

Mechanical data

Mating cycles RPC-3.50	≥ 500
Mating cycles MQ4	≥ 1000
Center contact captivation: axial	≥ 27 N
Coupling test torque RPC-3.50	1.70 Nm
Coupling torque recommended RPC-3.50	0.80 Nm to 1.10 Nm
Coupling torque recommended MQ4	25 Nm to 30 Nm

Environmental data

Temperature range	-40 °C to +85 °C
Thermal shock	MIL-STD-202, Meth. 107, Cond. B
Corrosion	MIL-STD-202, Meth. 101, Cond. B
Vibration	MIL-STD-202, Meth. 204, Cond. D
Shock	MIL-STD-202, Meth. 213, Cond. I
Moisture resistance	MIL-STD-202, Meth. 106
RoHS	compliant

Notes

Single adaptor as replacement part	03K1MQ4-K00S3
------------------------------------	---------------

Weight

145 g/pce

While the information has been carefully compiled to the best of our knowledge, nothing is intended as representation or warranty on our part and no statement herein shall be construed as recommendation to infringe existing patents. In the effort to improve our products, we reserve the right to make changes judged to be necessary.

For the installation of the electrotechnical equipment, particular electrotechnical expertise is required.



Dieses Dokument ist urheberrechtlich geschützt • This document is protected by copyright • Rosenberger Hochfrequenztechnik GmbH & Co. KG

RFB00035/12.20/6.4

Draft	Date	Approved	Date	Rev.	Engineering change number	Name	Date
F. Reiner	01.09.20	H. Babinger	01.12.21	b00	21-2187	J. Rohloff	01.12.21
Rosenberger Hochfrequenztechnik GmbH & Co. KG P.O.Box 1260 D-84526 Tittmoning Germany www.rosenberger.com						Tel. : +49 8684 18-0 Email : info@rosenberger.com	
							Page 2 / 2