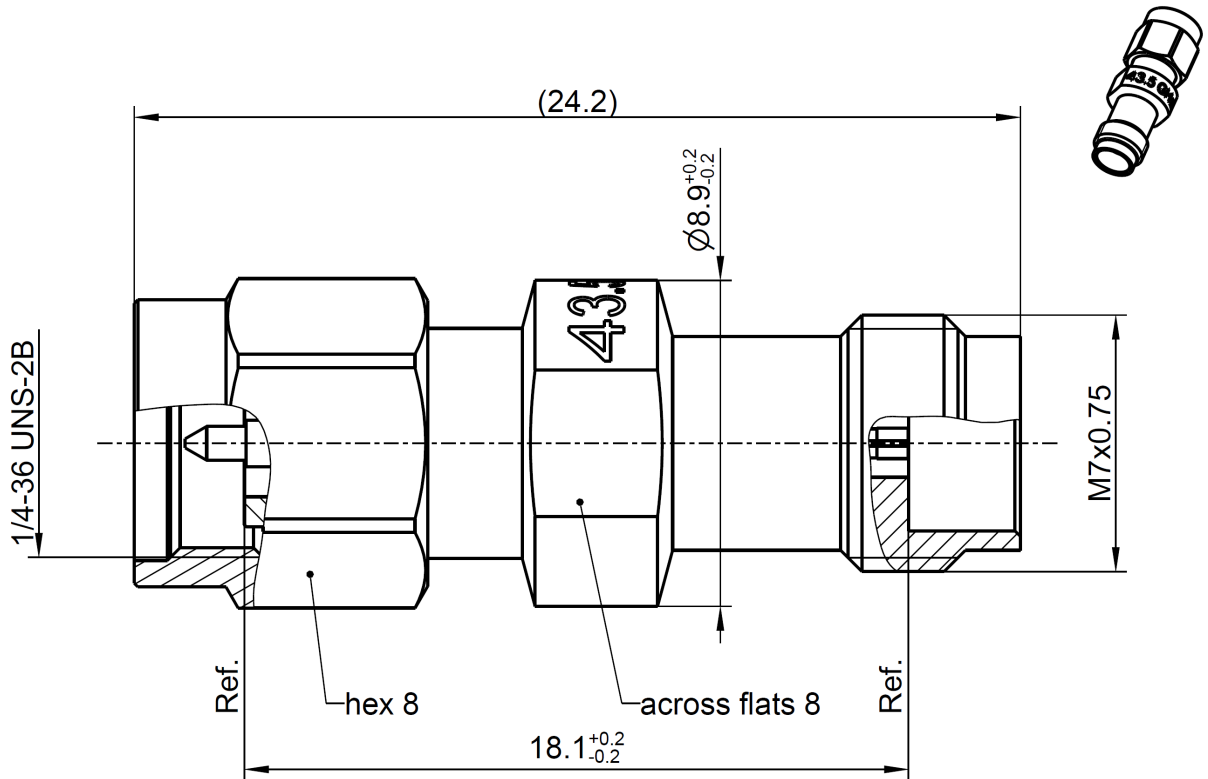


RPC-2.92 Adaptor
RPC-1.85 Plug - Jack

02S108-K0BS3



All dimensions are in mm

Interface

RPC-2.92 According to	IEC 61169-35
RPC-2.92 mechanically compatible with	RPC-3.50 and SMA
RPC-1.85 according to	IEC 61169-32
RPC-1.85 mechanically compatible with	RPC-2.40

Documents

N/A

Material and plating

Connector parts

Center contact
Outer contact
Coupling nut
Dielectric

Material

CuBe
Stainless steel
Stainless steel
TPX

Plating

Gold, min. 1.27 μ m, over chemical nickel
Passivated
Passivated

Technical Data Sheet**Rosenberger**

RPC-2.92	Adaptor
RPC-1.85	Plug - Jack

02S108-K0BS3**Electrical data**

Impedance	50 Ω
Frequency	DC to 43.5 GHz
Return loss	≥ 17 dB, DC to 43.5 GHz
Insertion loss	≤ 0.05 x √f(GHz) dB
Insulation resistance	≥ 5 GΩ
Test voltage	500 V rms
Working voltage	150 V rms
RF-leakage	≥ 100 dB up to 1 GHz

Mechanical data

Mating cycles	≥ 500
Center contact captivation	≥ 20 N
Coupling test torque RPC-2.92	1.70 Nm
Recommended torque RPC-2.92	0.80 Nm to 1.10 Nm
Coupling test torque RPC-1.85	1.65 Nm
Recommended torque RPC-1.85	0.80 Nm to 1.10 Nm

Environmental data

Temperature range	-40°C to +125°C
Thermal shock	MIL-STD-202, Method 107, Condition B
Corrosion	MIL-STD-202, Method 101, Condition B
Vibration	MIL-STD-202, Method 204, Condition D
Shock	MIL-STD-202, Method 213, Condition I
Moisture resistance	MIL-STD-202, Method 106
RoHS	compliant

Tooling

N/A

Suitable cables

N/A

Weight

5.9 g/pce

While the information has been carefully compiled to the best of our knowledge, nothing is intended as representation or warranty on our part and no statement herein shall be construed as recommendation to infringe existing patents. In the effort to improve our products, we reserve the right to make changes judged to be necessary.

Draft	Date	Approved	Date	Rev.	Engineering change number	Name	Date
S. Andorfer	09.07.20	H. Babinger	26.07.24	a00	24-s209	M. Knoll	26.07.24

Rosenberger Hochfrequenztechnik GmbH & Co. KG
P.O.Box 1260 D-84526 Tittmoning Germany
www.rosenberger.de

Tel.: +49 8684 18-0
Email: info@rosenberger.de

Page

2 / 2